

**Light head controller, power supply and fault alarm unit  
for Obelux MI- and HI- light series****Key features**

- Suitable for up to six Obelux MI-series or three Obelux HI-series light heads
- Constant power consumption with active PFC
- Light head monitoring and alarm generation
- Internal photocell for day/night mode changes
- Multiple LHCs synchronizations
- LCD display and keypad for easy configuration
- Ethernet communication for large systems
- Low maintenance costs
- 5 years warranty

**Electrical characteristics**

- Operating voltage variations:
  - 48 V<sub>DC</sub> (36.. 75 V<sub>DC</sub>)
  - 100 V<sub>AC</sub> (85.. 115 V<sub>AC</sub>)
  - 115 V<sub>AC</sub> (98...132 V<sub>AC</sub>)
  - 200 V<sub>AC</sub> (170...230 V<sub>AC</sub>)
  - 230 V<sub>AC</sub> (207... 253 V<sub>AC</sub>)
- 3 x 350 W output power
- Constant power input, same peak and average power consumption
- Overvoltage protection
- Operating temperature range -55°C to +55°C
- Flash rates: 20, 40 and 60 fpm
- Flash duration: 100, 150, 200 and 250 ms
- Two Ethernet ports, built-in switch

**Mechanical characteristics**

- Enclosure stainless steel AISI304
- Ingress protection IP65
- Cable glands: 7 x M25, 7 x M16
- Wind load less than 1200 N @ 200 km/h
- Dimensions: 970 x 450 x 200 mm (L x W x D)
- Weight: 55 kg

**Alarm relay characteristics**

- Potential free DPCO monostable (NC, NO, COM)
- Contact voltage AC max 125V
- Contact voltage DC max 30V
- Contact current max 1A
- Contact resistance max 0.15 ohm

**Available options**

- GPS flash synchronization
- GSM control and fault reporting
- External photocell
- Fibre optic communication
- Control panel for large system controlling and monitoring

Made in Finland



**Obelux LHC-230-1050 without mounting set**

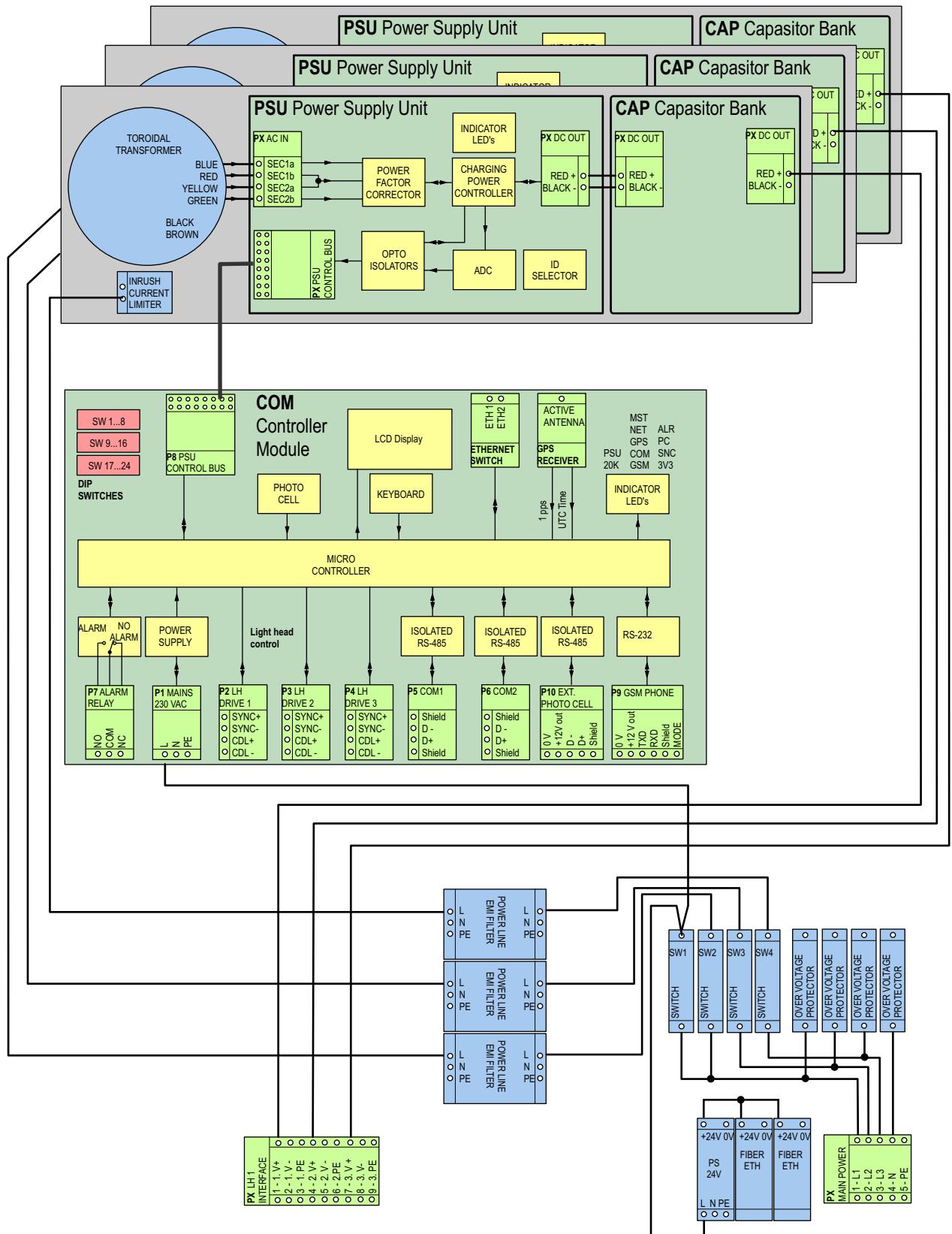
**Order codes:**

- Obelux LHC-048-1050 for 48 V<sub>DC</sub> system
- Obelux LHC-100-1050 for 100 V<sub>AC</sub> system
- Obelux LHC-115-1050 for 115 V<sub>AC</sub> system
- Obelux LHC-200-1050 for 200 V<sub>AC</sub> system
- Obelux LHC-230-1050 for 230 V<sub>AC</sub> system

Technical information in this document is subject to change without notice. Copyright © Obelux Oy 2013

Light head controller, power supply and fault alarm unit  
for Obelux MI- and HI- light series

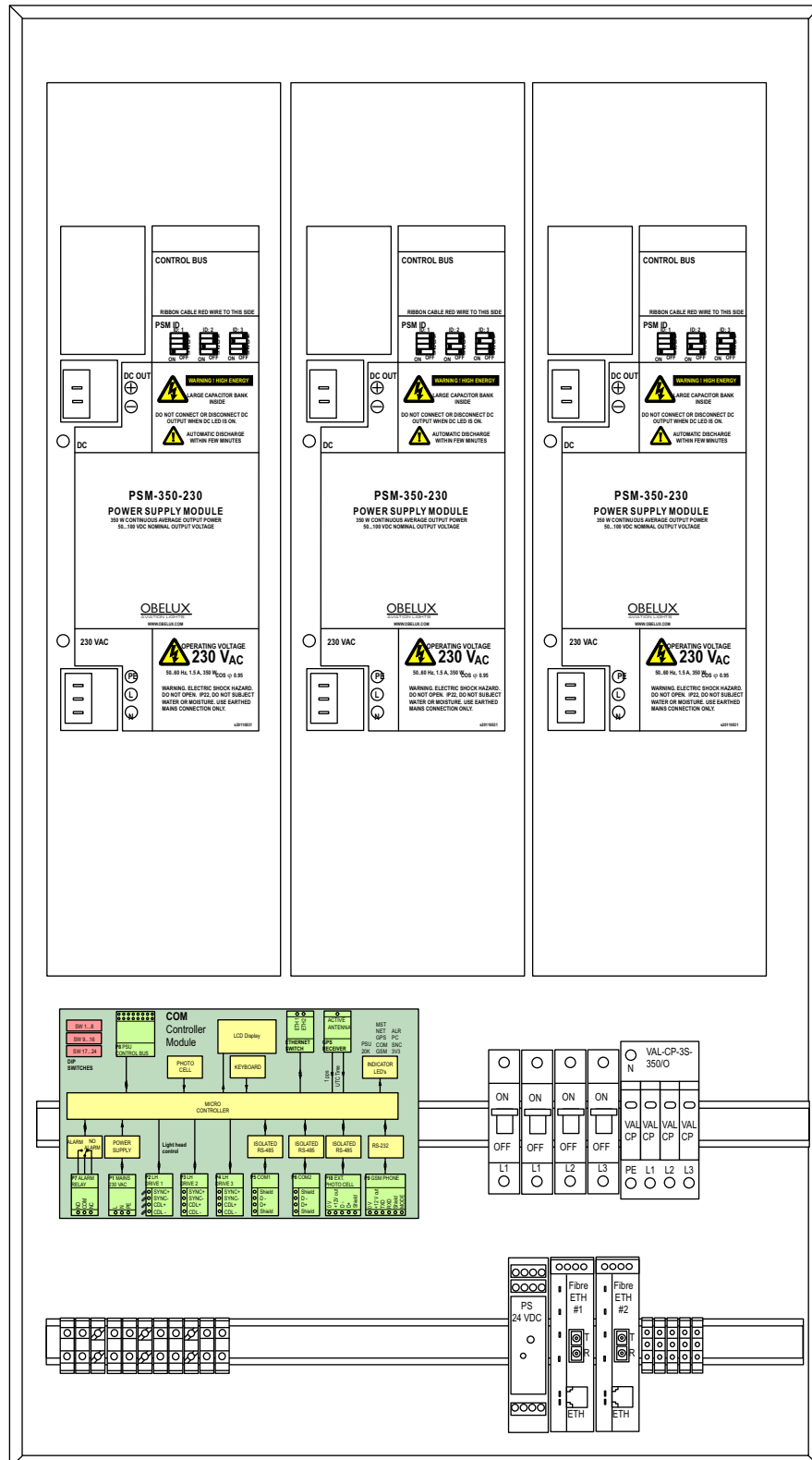
SIMPLIFIED WIRING DIAGRAM



Technical information in this document is subject to change without notice. Copyright © Obelux Oy 2013

Light head controller, power supply and fault alarm unit  
for Obelux MI- and HI- light series

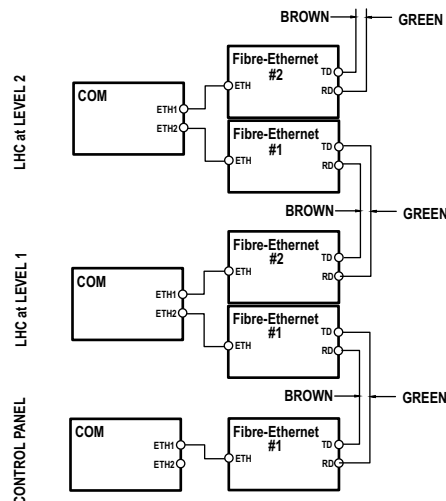
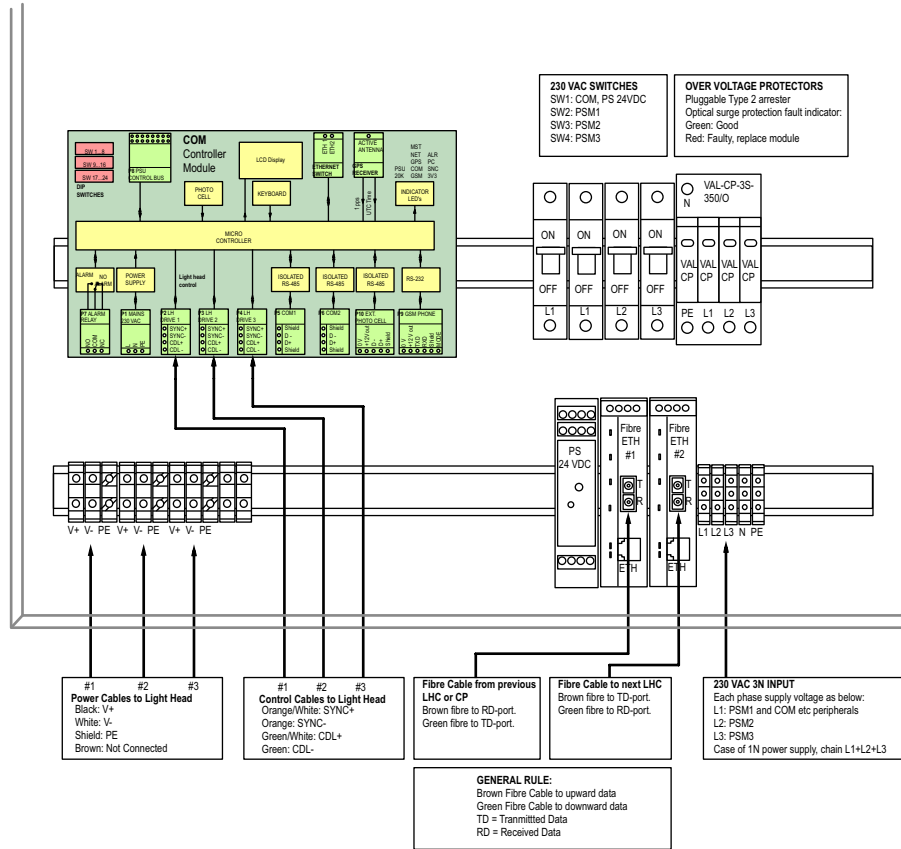
LHC CABINET LAYOUT



Technical information in this document is subject to change without notice. Copyright © Obelux Oy 2013

Light head controller, power supply and fault alarm unit  
for Obelux MI- and HI- light series

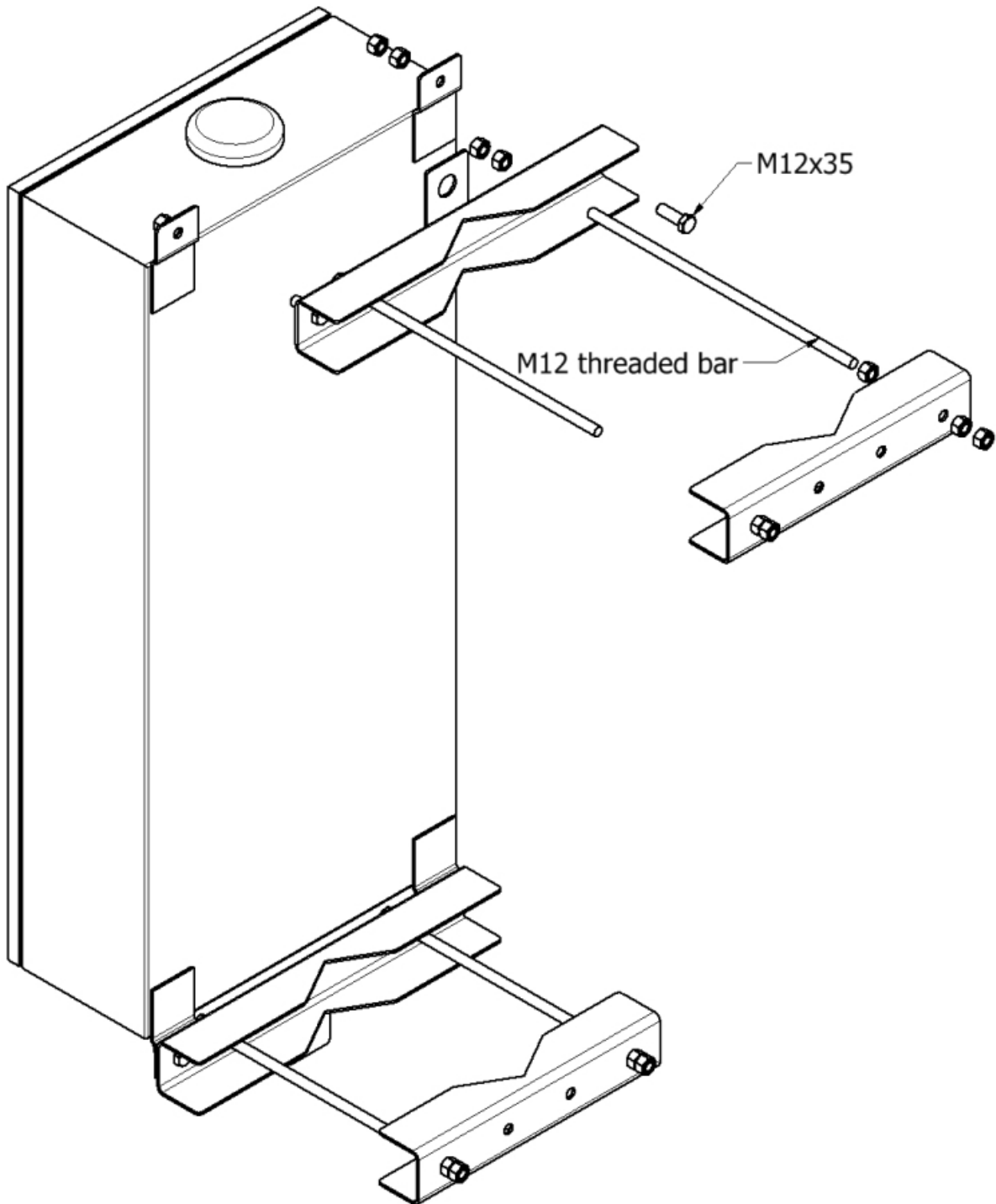
CONNECTIONS



Technical information in this document is subject to change without notice. Copyright © Obelux Oy 2013

Light head controller, power supply and fault alarm unit  
for Obelux MI- and HI- light series

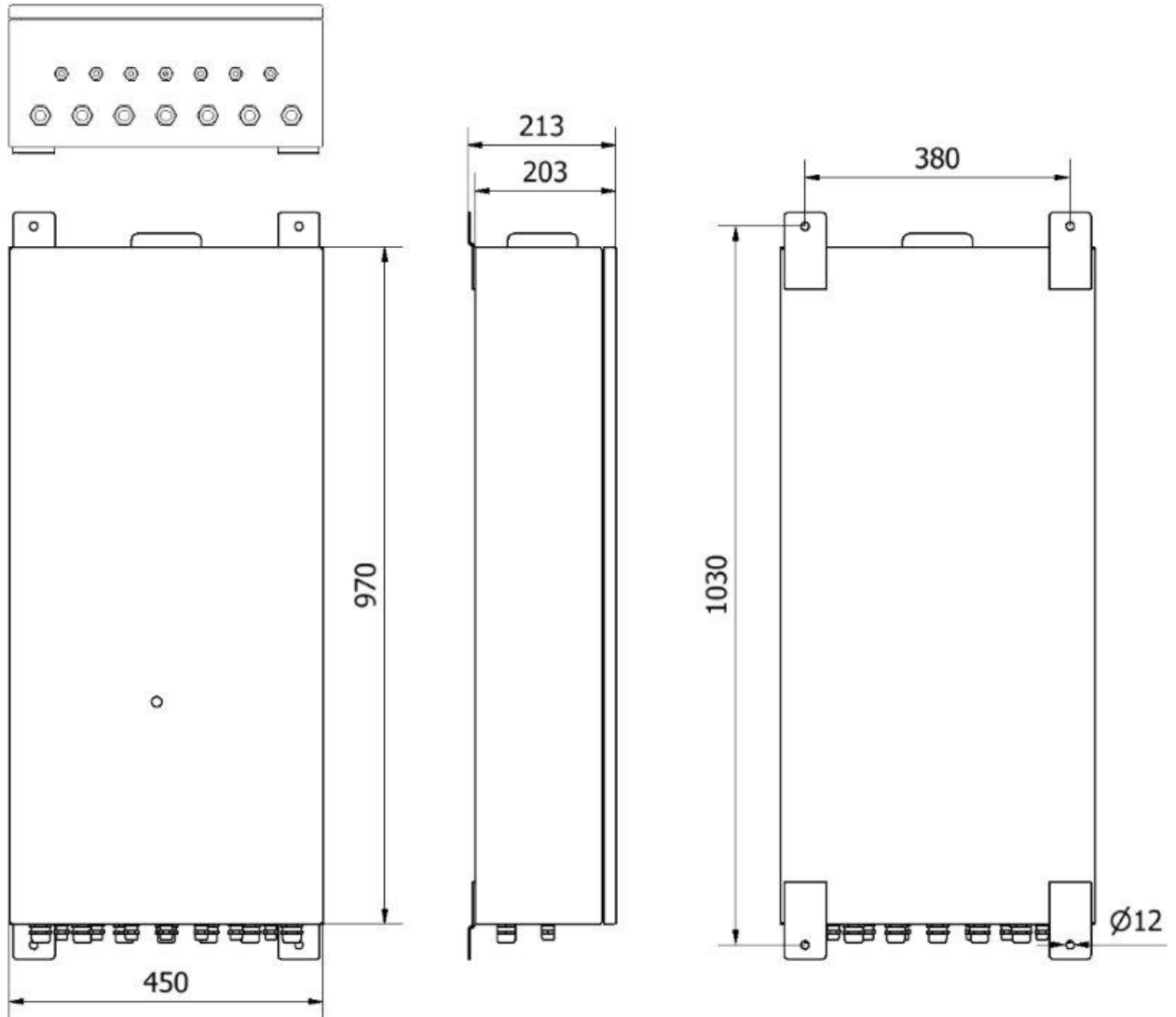
MOUNTING SET



Technical information in this document is subject to change without notice. Copyright © Obelux Oy 2013

Light head controller, power supply and fault alarm unit  
for Obelux MI- and HI- light series

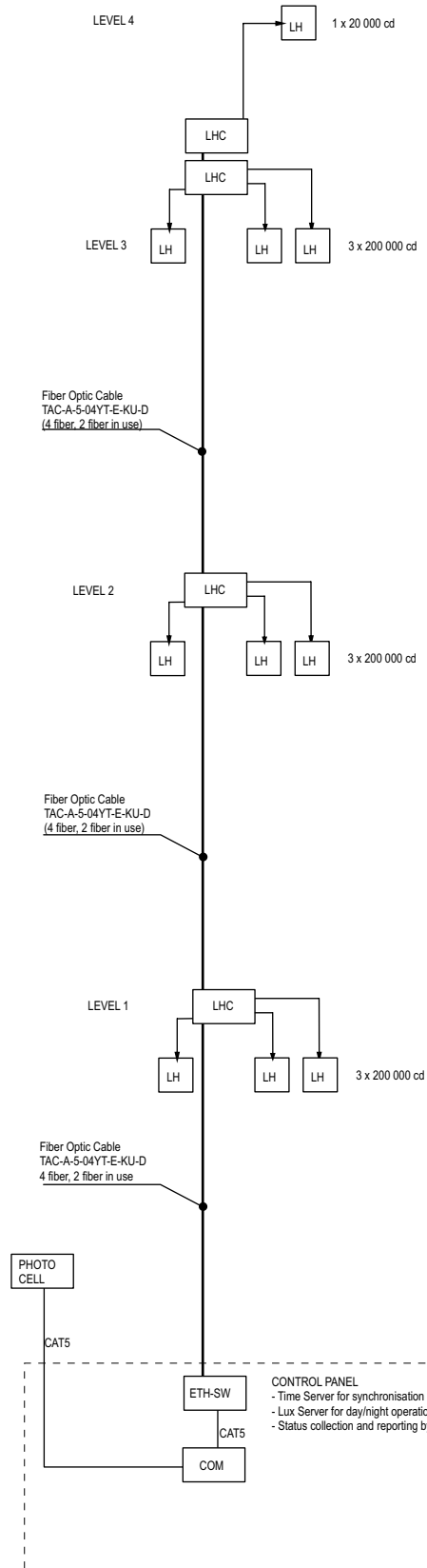
MECHANICAL DIMENSIONS



Technical information in this document is subject to change without notice. Copyright © Obelux Oy 2013

Light head controller, power supply and fault alarm unit  
for Obelux MI- and HI- light series

TYPICAL APPLICATION  
4-LEVEL BROADCAST MAST



Technical information in this document is subject to change without notice. Copyright © Obelux Oy 2013