

**230 V<sub>AC</sub> ICAO Low-intensity Type B, FAA L-810 Obstacle Light with photocell & flasher**

**Key features**

- Based on LED-technology
- Extremely reliable - long lifetime
- Suitable for off-shore use
- Very low power consumption
- 230 V<sub>AC</sub> nominal operating voltage
- Stabilised light output
- Lightweight and small – low wind load factor
- Easy to install, several mounting sets available
- Two cable glands, easy to chain without external terminal boxes
- No RF-radiations
- Five (5) years warranty
- Patented

**Benefits**

- Long maintenance intervals
- Low energy cost
- Supply power voltage variations do not affect to light output
- Very low total lifetime costs
- Low wind load

**Specifications met**

- ICAO International Standards and Recommended Practices: Aerodromes - Annex 14 Volume 1, 5th Edition, July 2009, Chapter 6: Low-intensity, Type B Fixed Obstacle Light
- FAA Advisory Circular 150/5345-43F 09/12/06 L-810 Light Unit

**Optical characteristics**

- Intensity better than 32.5 cd
- Colour aviation red
- Horizontal radiation pattern 360°
- Vertical radiation pattern 15°
- LED supply current stabilised by constant current generator
- Light output degradation less than 30% after 100.000 h of operation

**Electrical characteristics**

- Nominal operating voltage 230 V<sub>AC</sub>
- Power consumption less than 4 VA, 3 W
- Operating voltage range 210 to 270 V<sub>AC</sub>
- Over-voltage protection

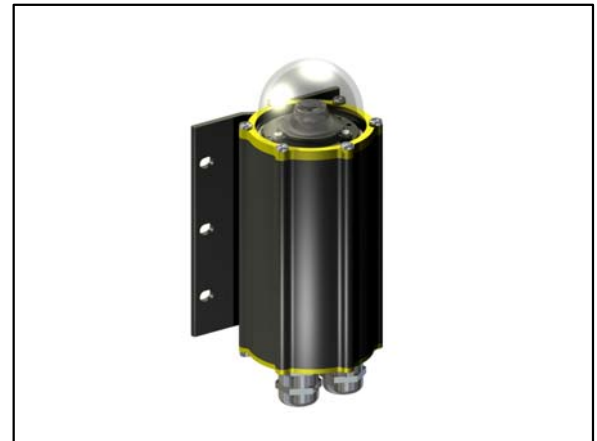
**Mechanical characteristics**

- Anodized, marine grade aluminium body and end parts
- AISI 316 acid proof steel screws
- Colourless (clear) glass cover
- Terminal box for 1,5 - 6 mm<sup>2</sup> wires
- Degree of protection IP 65
- Operating temperature range -55°C to +70°C
- Height 210 mm, diameter 104 mm, weight 1.1 kg
- Wind load with MS-EV60 mounting kit @ 200 km/h less than 40 N

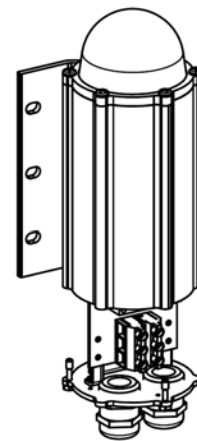
**Options**

- Mounting kits
- Light unit without Photocell & Flasher: Obelux LI-32-230-F

Order Code: **Obelux LI-32-230-PCFL**



Obelux LI-32-230-PCFL LED obstacle light



**Photocell characteristics**

- Turn on delay 1 s
- Turn off delay 200 s
- User selectable photocell sensitivity (bold = factory default)  
OFF / 200 lux / 400 lux / **800 lux**

**Flash controller characteristics**

- User selectable flashing rate (bold = factory default)  
**Steady burning** / 20 fpm / 40 fpm / 60 fpm
- 250 ms flash duration



Technical information in this document is subject to change without notice. Copyright © Obelux Oy 2010

**230 V<sub>AC</sub> ICAO Low-intensity Type B, FAA L-810 Obstacle Light with photocell & flasher**

**ELECTRICAL INSTALLATION INSTRUCTIONS**

**Obelux LI-32-230-PCFL has two cable glands for easy chaining without external distribution boxes**

Obelux LI-32-230-PCFL is an obstacle light utilizing LED technology. The cabling and installation principles are similar to those of conventional obstacle lights.

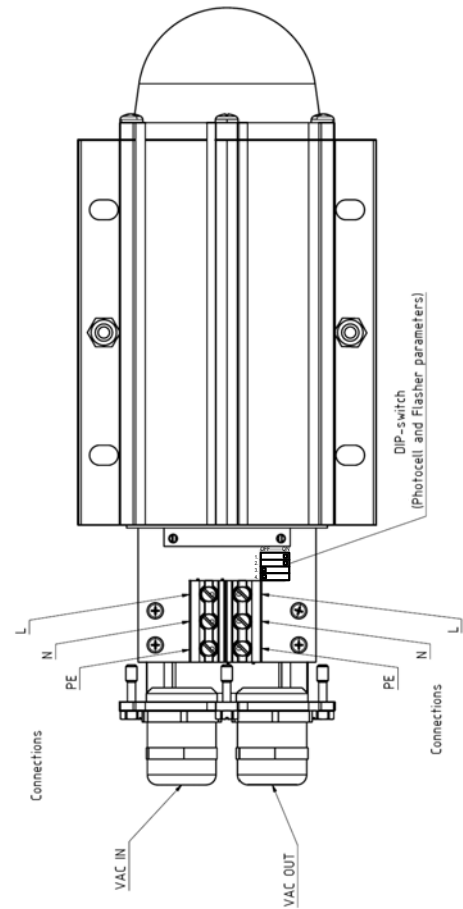
Connection can be protected with a 6 A or 10 A fuse or with a circuit breaker (C curve).

**Installation specifications**

- Cable gland: M25
- Cable diameter: 11 to 17 mm
- Wire diameter: max. 6 mm<sup>2</sup>
- Recommended cable: 3x1.5 mm<sup>2</sup> or 3x2.5 mm<sup>2</sup>

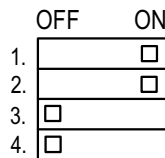
**Options**

- **CGS-20:** Smaller cable glands  
Set include 2 pcs M20 cable glands with M25-M20 adapters for 7-13 mm cables



**PCFL DIP switches**

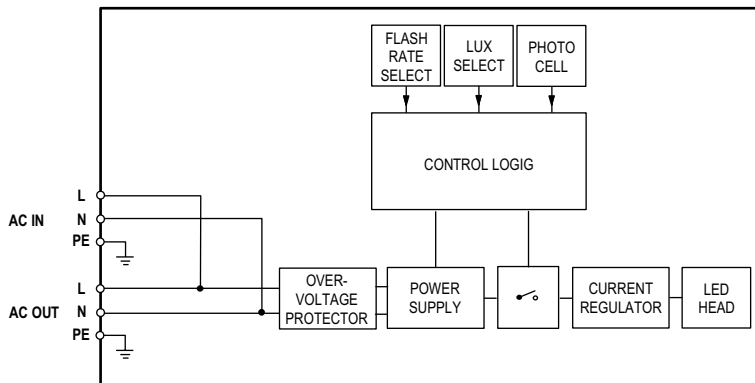
DIP1	DIP2	PHOTOCELL
OFF	OFF	OFF (light always ON)
ON	OFF	200 lux
OFF	ON	400 lux
ON	ON	800 lux



**Default DIP settings:  
800 lux, steady burning**

DIP3	DIP4	FLASH RATE
OFF	OFF	STEADY BURNING
ON	OFF	20 fpm
OFF	ON	40 fpm
ON	ON	60 fpm

**Flash Duration 250 ms**

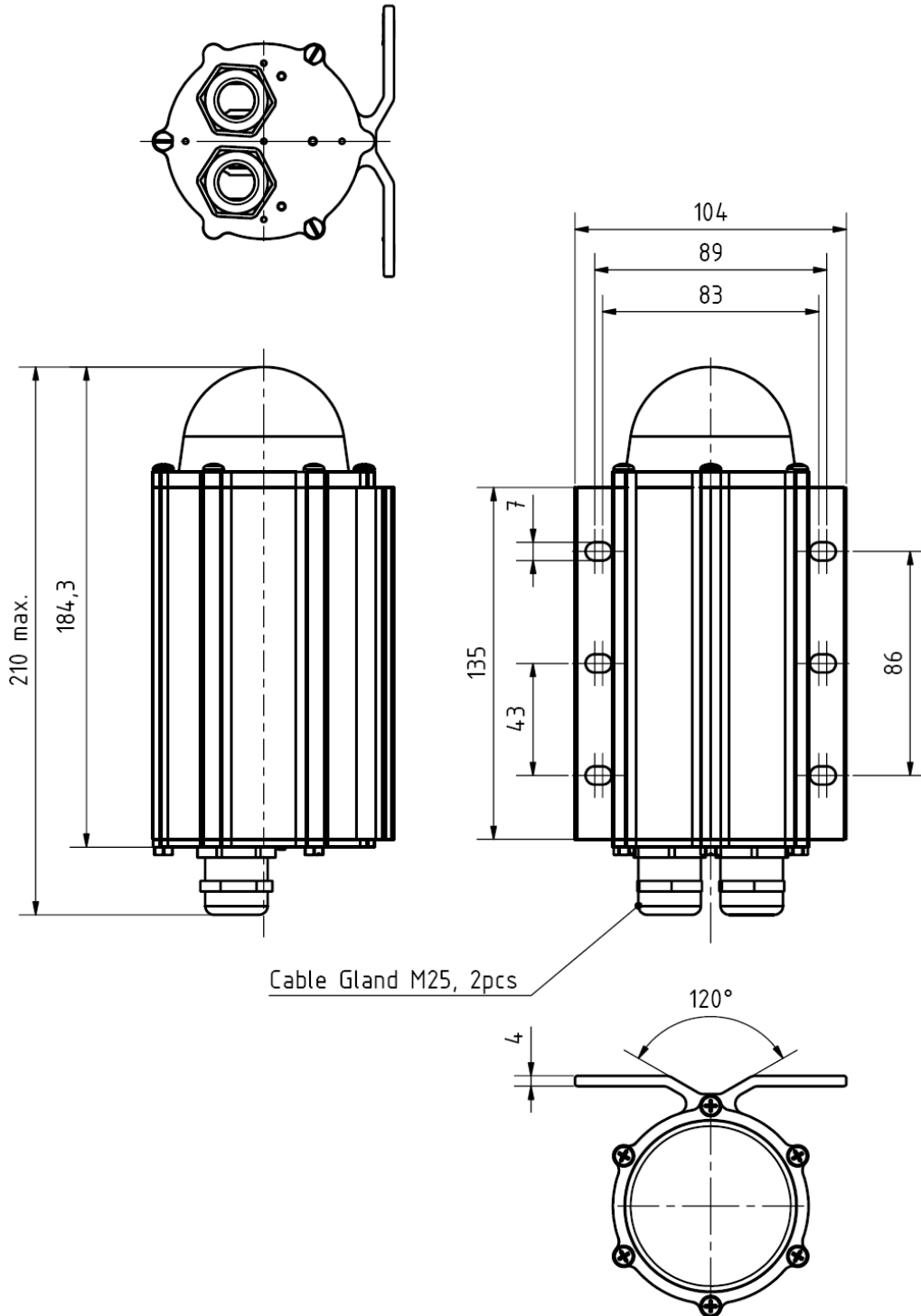


**LI-32-230-PCFL block diagram**



Technical information in this document is subject to change without notice. Copyright © Obelux Oy 2010

Mechanical dimensions



Technical information in this document is subject to change without notice. Copyright © Obelux Oy 2010

There are several types of mounting sets available as option:

**Obelux MS-HV80**

Mounting set for 33-80 mm vertical or horizontal pipe

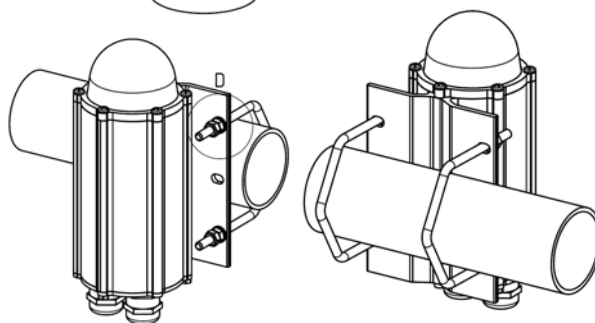
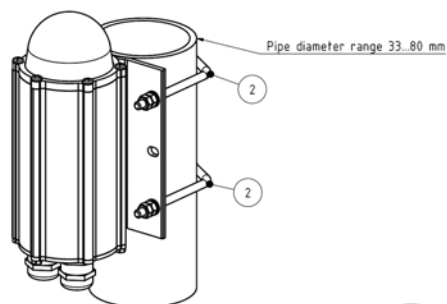
Mounting set include:

- 2 pcs M6 U-bolt
- 8 pcs M6 hex nut
- 4 pcs 6/12 mm washer

All parts AISI 316 acid proof steel

More detailed mechanical data: MS-HV80 datasheet

Order Code: **MS-HV80**



**Obelux MS-EV60**

Mounting set with extension plate for 30-60 mm vertical pipe installation

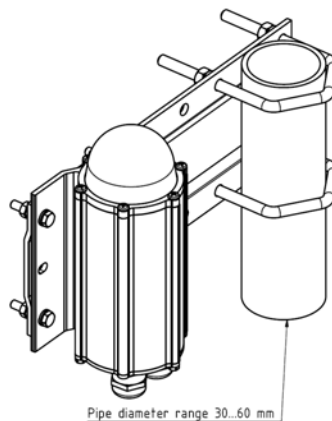
Mounting set include:

- 2 pcs M8 U-bolt, 8 pcs M8 hex nut
- 4 pcs M6x30 bolt, 8 pcs M6 hex nut, 4 pcs 6/12 washer
- 1 pcs extension plate

Extension plate marine grade anodized aluminium, other parts AISI 316 acid proof steel

More detailed mechanical data: MS-EV60 datasheet

Order Code: **MS-EV60**



**Obelux MS-EV100:**

Mounting set with extension plate for 60-100 mm vertical pipe installation

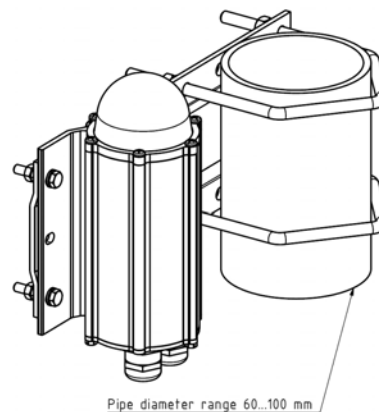
Mounting set include:

- 2 pcs M8 U-bolt, 8 pcs M8 hex nut
- 4 pcs M6x30 bolt, 8 pcs M6 hex nut, 4 pcs 6/12 washer
- 1 pcs extension plate

Extension plate marine grade anodized aluminium, other parts AISI 316 acid proof steel

More detailed mechanical data: MS-EV100 datasheet

Order Code: **MS-EV100**



Technical information in this document is subject to change without notice. Copyright © Obelux Oy 2010

**230 V<sub>AC</sub> ICAO Low-intensity Type B, FAA L-810 Obstacle Light  
with photocell & flasher****Obelux MS-EV150:**

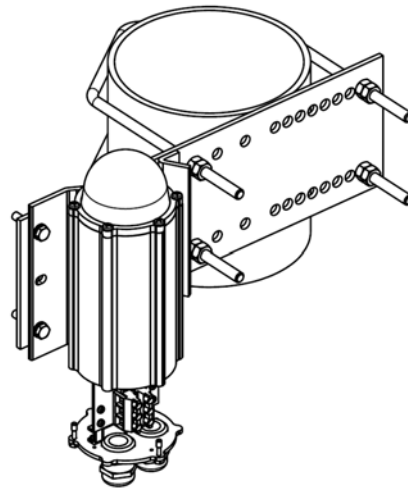
Mounting set with extension plate  
for 100-150 mm vertical pipe installation

Mounting set include:

- 2 pcs M8 U-bolt, 8 pcs M8 hex nut
- 4 pcs M6x30 bolt, 8 pcs M6 hex nut, 4 pcs 6/12 washer
- 1 pcs extension plate

Extension plate hot dipped galvanised steel,  
other parts AISI 316 acid proof steel  
More detailed mechanical data: MS-EV150 datasheet

Order Code: **MS-EV150**

**Obelux MS-DEV60:**

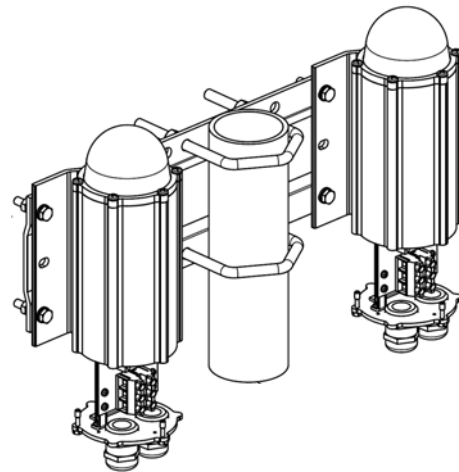
Double mounting set with extension plate  
for 30-60 mm vertical pipe installation

Mounting set include:

- 2 pcs M8 U-bolt, 8 pcs M8 hex nut
- 8 pcs M6x30 bolt, 16 pcs M6 hex nut, 8 pcs 6/12 washer
- 1 pcs extension plate

Extension plate marine grade anodised aluminium,  
other parts AISI 316 acid proof steel  
More detailed mechanical data: MS-DEV60 datasheet

Order Code: **MS-DEV60**

**Obelux MS-DEV100:**

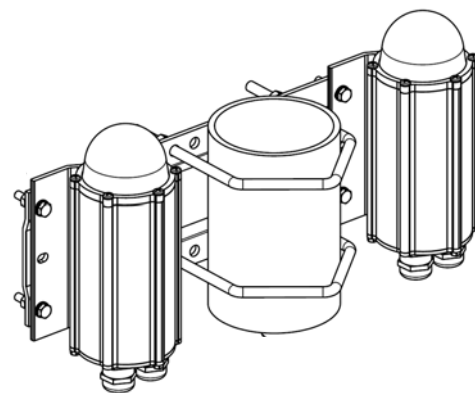
Double mounting set with extension plate  
for 60-100 mm vertical pipe installation

Mounting set include:

- 2 pcs M8 U-bolt, 8 pcs M8 hex nut
- 8 pcs M6x30 bolt, 16 pcs M6 hex nut, 8 pcs 6/12 washer
- 1 pcs extension plate

Extension plate marine grade anodised aluminium,  
other parts AISI 316 acid proof steel  
More detailed mechanical data: MS-DEV100 datasheet

Order Code: **MS-DEV100**



Technical information in this document is subject to change without notice. Copyright © Obelux Oy 2010

230 V<sub>AC</sub> ICAO Low-intensity Type B, FAA L-810 Obstacle Light  
with photocell & flasher

**Obelux MS-RW**

Mounting set for horizontal plate or wall installation

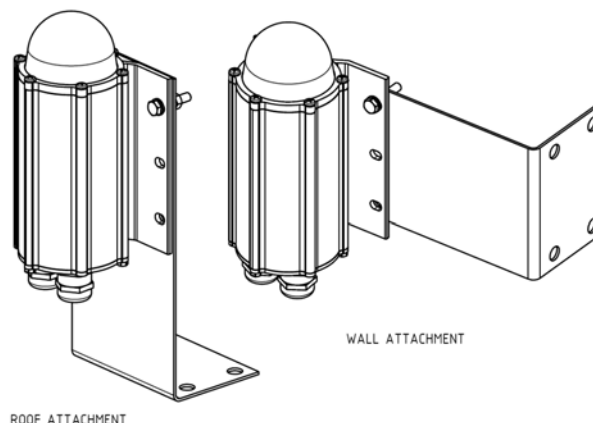
Mounting set include:

- 4 pcs M6x30 bolt, 8 pcs M6 hex nut, 4 pcs 6/12 washer
- 1 pcs L-shape 2 mm plate

All parts AISI 316 acid proof steel

More detailed mechanical data: MS-RW datasheet

Order Code: **MS-RW**



**Obelux MS-LVU**

Mounting set for L and V -shape profiles

Mounting set include:

- 1 set accessories for light unit fitting to plate
- 1 pcs extension plate with adjusting plate and accessories

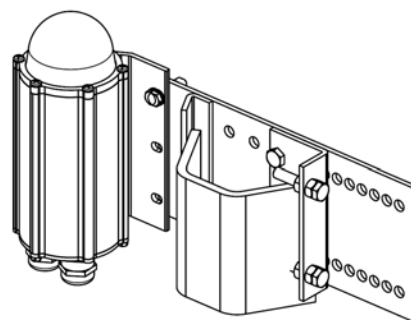
Extension plate hot dip galvanized steel, other parts

AISI 316 acid proof steel

More detailed mechanical data: MS-LVU datasheet

Order Code: **MS-LVU** (with galvanized extension plate)

**MS-LVA** (with AISI 316 extension plate)



**Obelux MS-N1B**

Mounting set for 1" NPT at bottom

More detailed mechanical dimensions: MS-N1B dataheet

Order Code: **MS-N1B**

