

**Key features**

- Based on LED-technology
- 2 000 cd steady burning red light
- 2 000 cd flashing with CSW flash controller unit or power supply PS-24-3A5-PCFL
- Extremely reliable - long lifetime
- Very low power consumption
- 24 V<sub>DC</sub> nominal operating voltage
- Stabilised light output
- Lightweight and small – low wind load factor
- Easy to install
- No RF-radiations
- Long maintenance intervals
- Comes with five (5) years warranty
- Patented

**Specifications met**

- ICAO International Standards and Recommended Practices: Aerodromes - Annex 14 Volume 1, 5th Edition, July 2009, Chapter 6: Medium-intensity, Type C Fixed Obstacle Light
- FAA Advisory Circular 150/5345-43F 09/12/06: L-864 and L-885 light unit
- Certified by STAC France and FVT Germany

**Optical characteristics**

- Intensity 2000 cd
- Colour aviation red
- Horizontal radiation pattern 360°
- Vertical radiation pattern 3°
- More than 10 year continuous maintenance free operating time

**Electrical characteristics**

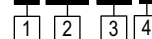
- Operating voltage range 22...30 V<sub>DC</sub>
- Power consumption 28 W @ steady burning
- Power consumption 2.3 W @ 20 fpm and 250 ms
- Constant current 1.2 A @ 24 V<sub>DC</sub>
- Operating temperature range -40...+55 °C
- Three-stage overvoltage protection
- LEDs in several separate groups
- LED supply current stabilised by constant current generator

**Mechanical characteristics**

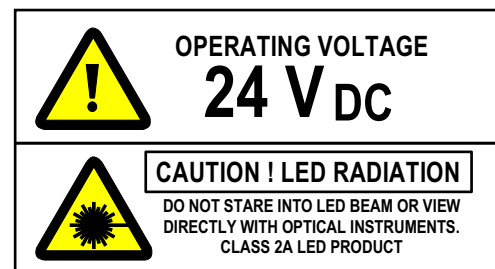
- Anodised aluminium body
- Glass cover
- Terminal box for 1.5...6 mm<sup>2</sup> wires
- Degree of protection IP65
- Height 284 mm, diameter 154 mm,
- Mounting set -V or -H and terminal box include
- Light unit weight 3 kg without mounting set
- Wind load 500 N with mounting set @ 200 km/h


**Obelux MI-2KR-024-x without mounting set**
**Options**

- CSW-24-x-F flash controller
- CSW-24-x-F-GPS flash controller with global flash sequency synchronisation by GPS-UTC time
- CSW-24-x-F-GSM controller with GSM communication
- PS-24-3A5 power supply, 230V<sub>AC</sub> / 24V<sub>DC</sub> 3.5 A
- PS-24-3A5-PCFL power supply with flash controller and photocell
- Battery back-up system
- Solar operated power supply system (SPOL)
- Mounting kits

**Order code:**
**Obelux MI-2KR-024-V**


- 1 Serie**  
MI: Medium Intensity
- 2 Luminous intensity and light colour**  
2KR: 2 000 cd, Red
- 3 Operating Voltage**  
012: 12 V<sub>DC</sub>  
024: 24 V<sub>DC</sub>  
048: 48 V<sub>DC</sub>  
115: 115 V<sub>AC</sub>  
230: 230 V<sub>AC</sub>
- 4 Mounting set**  
V: Mounting to vertical pipe  
H: Mounting to horizontal plate

**Made in Finland**


Technical information in this document is subject to change without notice. Copyright © Obelux Oy 2012

**ICAO Medium Intensity Type B and C, FAA L-864 and L-885,  
2 000 cd red obstacle light, 24 V<sub>DC</sub> operating voltage**

Obelux MI-2KR-024-x is an obstacle light utilizing LED technology. The cabling and installation principles are similar to those of conventional obstacle lights, the only exception being the correct polarity required by DC feed.

Terminal box include screw terminals and overvoltage protectors.

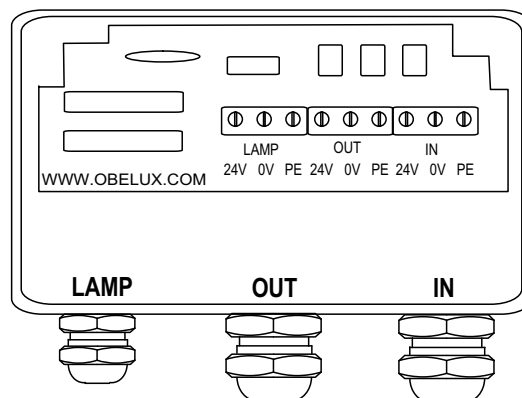
The polarity is:

- Blue -
- Black +
- Yellow-Green PE

All connection alternatives can be protected with a 6 A or 10 A fuse or with a circuit breaker (C curve).

**Installation specifications**

- Cable gland: M25
- Cable diameter: 11...17 mm
- Wire diameter: max. 6 mm<sup>2</sup>
- Recommended cable: 2x1.5+1.5 or 2x2.5+2.5 mm<sup>2</sup>

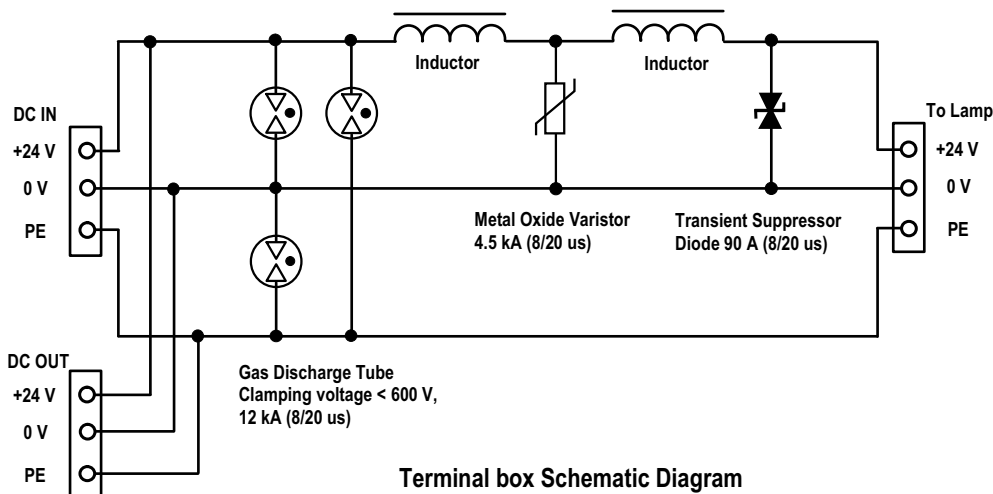


Cable Gland  
M20 for 8-13 mm  
cable

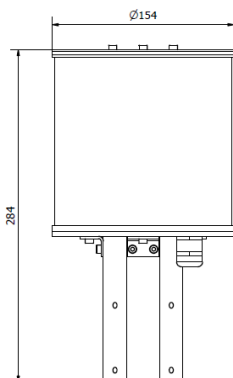
Cable Gland  
M25 for 11-17 mm  
cable

Cable Gland  
M25 for 11-17 mm  
cable

**Terminal box**



**Terminal box Schematic Diagram**



**OPERATING VOLTAGE**

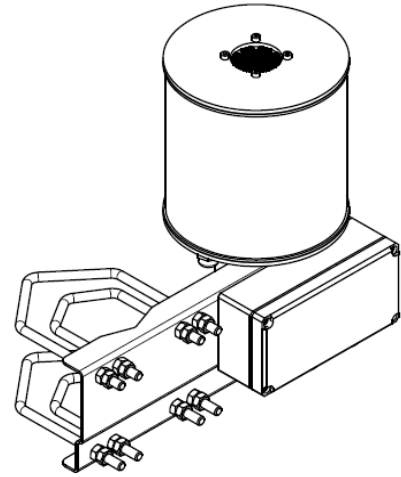
**24 V<sub>DC</sub>**

---

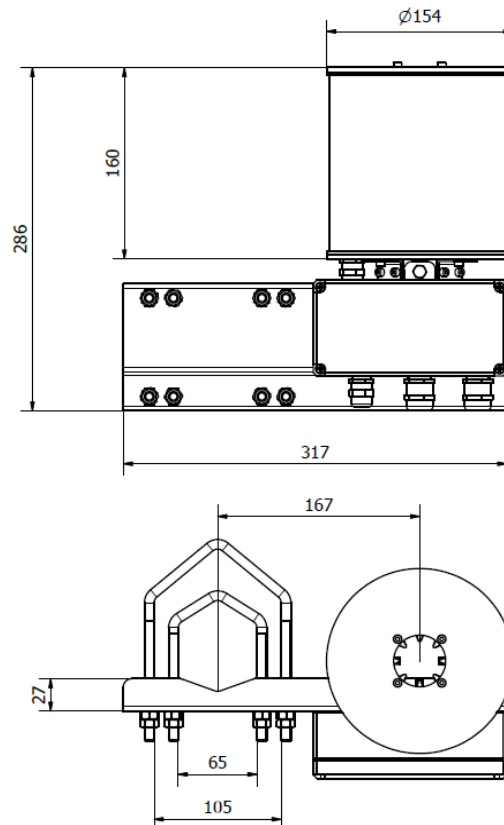
**CAUTION ! LED RADIATION**

DO NOT STARE INTO LED BEAM OR VIEW  
DIRECTLY WITH OPTICAL INSTRUMENTS.  
CLASS 2A LED PRODUCT

**Obelux MI-2KR-xxx-V**  
Light unit with -V mounting set. Mounting to Vertical pipe



**Mounting plate, U-bolts, hex nuts: Acid Proof steel**  
**Terminal box: Polycarbonate**  
**Mounting set weight: 0.7 kg**



Technical information in this document is subject to change without notice. Copyright © Obelux Oy 2012

**Obelux MI-2KR-xxx-H**

Light unit with -H mounting set. Mounting to Horizontal plate by L-shape brackets

Mounting plate: Aluminium  
U-bolts, hex nuts: Acid Proof steel  
Terminal box: Polycarbonate  
Mounting set weight: 0.3 kg

