

**ICAO High Intensity Type B
100 000 cd white LED flashing obstacle light****Key features**

- Based on LED-technology
- 100 000 / 20 000 / 2 000 cd effective flashing white
- 120° x 3° beam spread
- Extremely reliable - long lifetime
- Very low power consumption
- Stabilised light output
- Lightweight and small – low wind load factor
- Easy to install
- Patented
- Very low total lifetime costs
- Comes with five (5) years warranty
- Over 10 year continuous, maintenance free operating time
- Controlled by Obelux LHC Light Head Controller

Specifications met

- ICAO International Standards and Recommended Practices:
Aerodromes - Annex 14 Volume 1, 5th Edition, July 2009,
Chapter 6: High-intensity, Type B

Photometric characteristics

- 100 000 cd effective intensity @ day mode
- 20 000 cd effective intensity @ twilight mode
- 2 000 cd effective intensity @ night mode
- Colour aviation white
- Horizontal radiation pattern 120°
- Vertical radiation pattern 3°

Electrical characteristics (with LHC)

- Operating voltages 48 Vdc, 115 or 230 Vac
- Constant power input by active PFC
- Flash rates: 20, 40 and 60 fpm
- Flash durations: 100, 250 and 500 ms
- Power consumptions 150 VA @ 40 fpm, 250 ms
- Operating temperature range -40...+70 °C
- Storage temperature range -55...+100 °C
- LED supply current stabilised by constant current generator

Mechanical characteristics

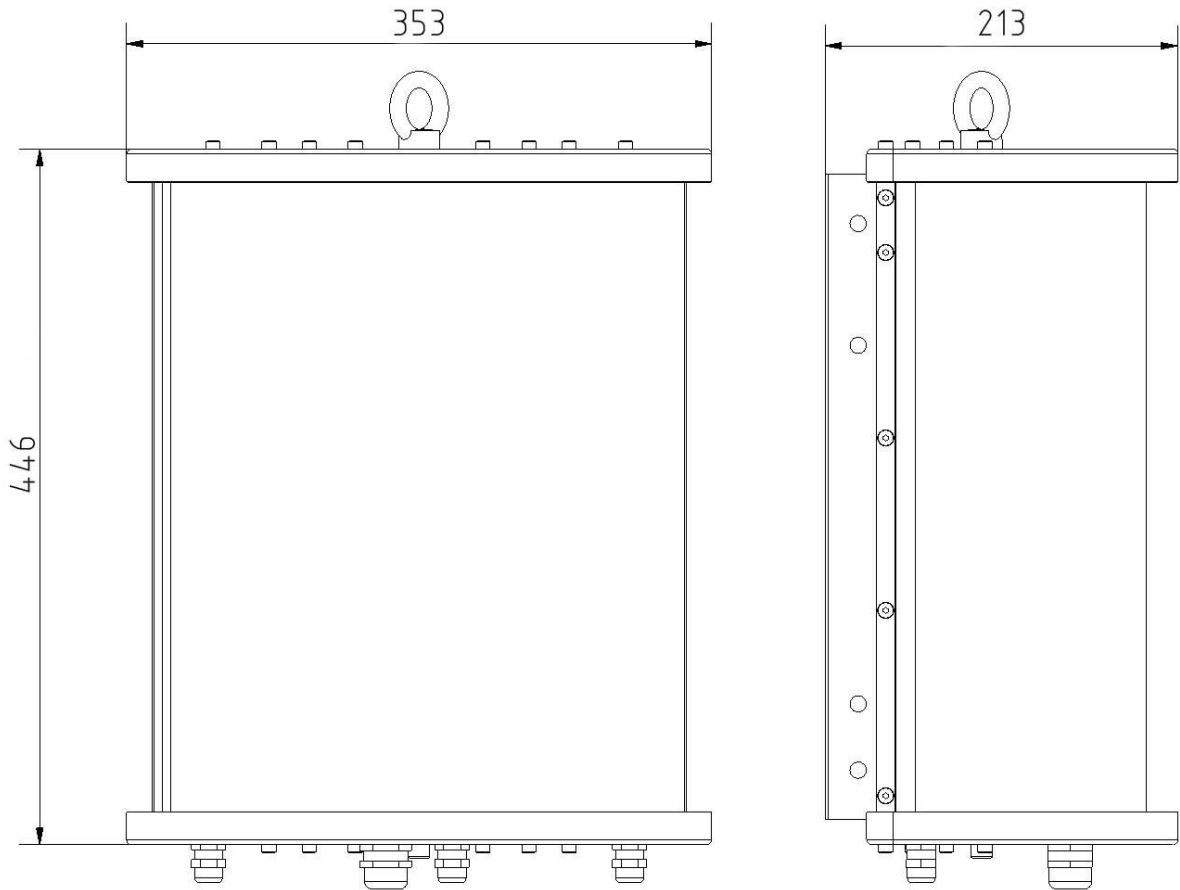
- Marine grade aluminium enclosure
- Glass cover
- Degree of protection IP65
- Height 446 mm, width 353 mm, depth 213 mm
- Weight 16 kg, less than 25 kg with mounting set
- Wind load @ 200 km/h less than 1000 N

Made in Finland

**Obelux HI-100KW-x****Order codes:**

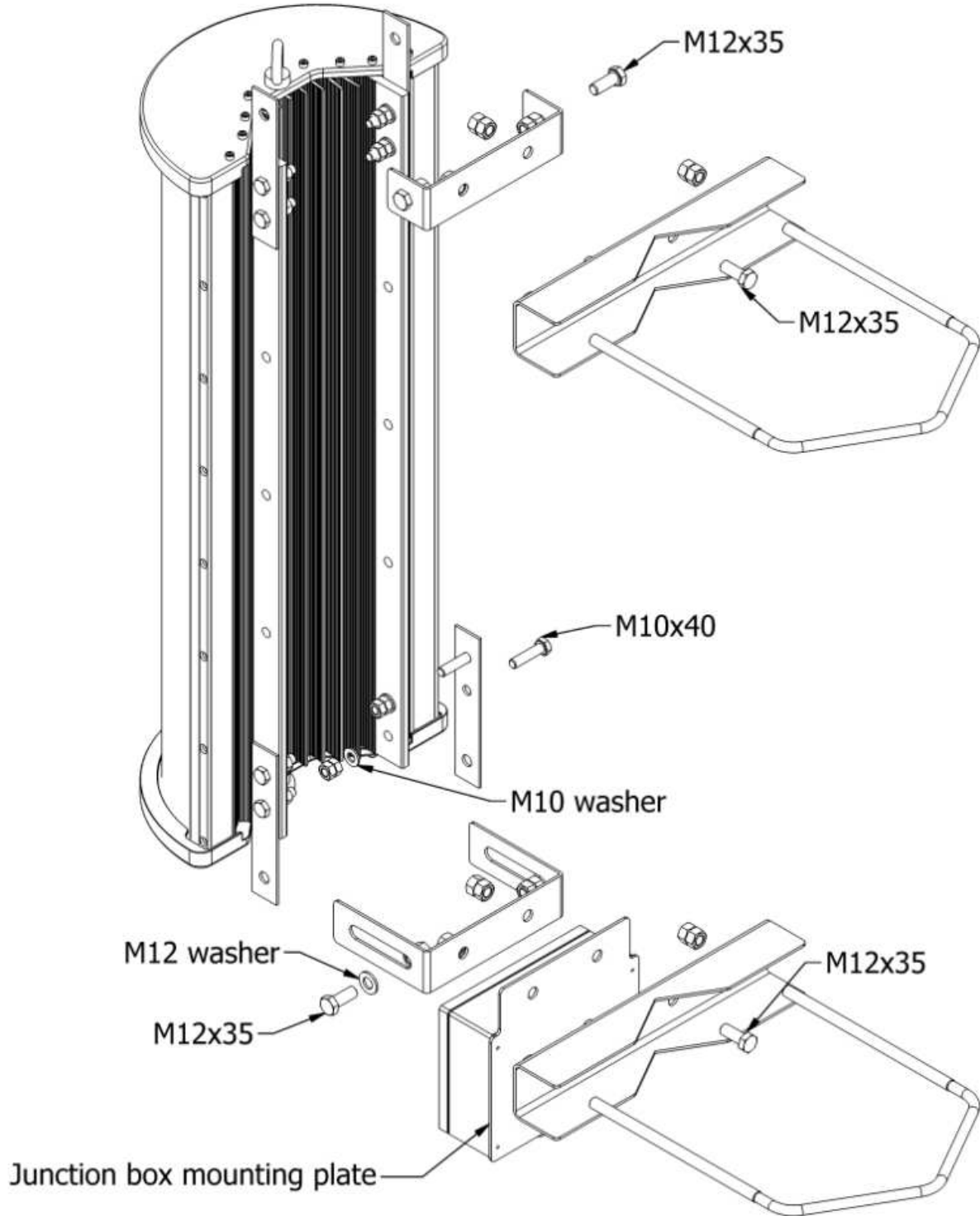
- Obelux HI-100KW-V with vertical mounting set
- Obelux HI-100KW-W with wall mounting set

MECHANICAL DIMENSIONS



Technical information in this document is subject to change without notice. Copyright © Obelux Oy 2012

VERTICAL MOUNTING SET



Technical information in this document is subject to change without notice. Copyright © Obelux Oy 2012

**ICAO High Intensity Type B
100 000 cd white LED flashing obstacle light**

INSTALLATION INSTRUCTIONS

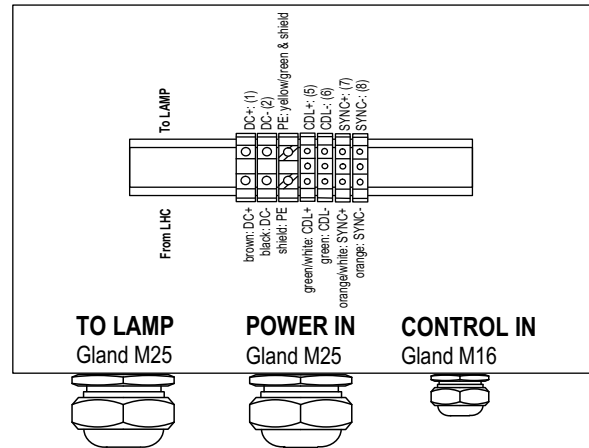
LIGHT HEAD TERMINAL BOX CONNECTIONS

Obelux HI-100KW light head is connected to light head controller, LHC, via terminal box installed in light head. LHC provides light head's supply voltage and flash control with separate cables which are connected to light head's terminal box.

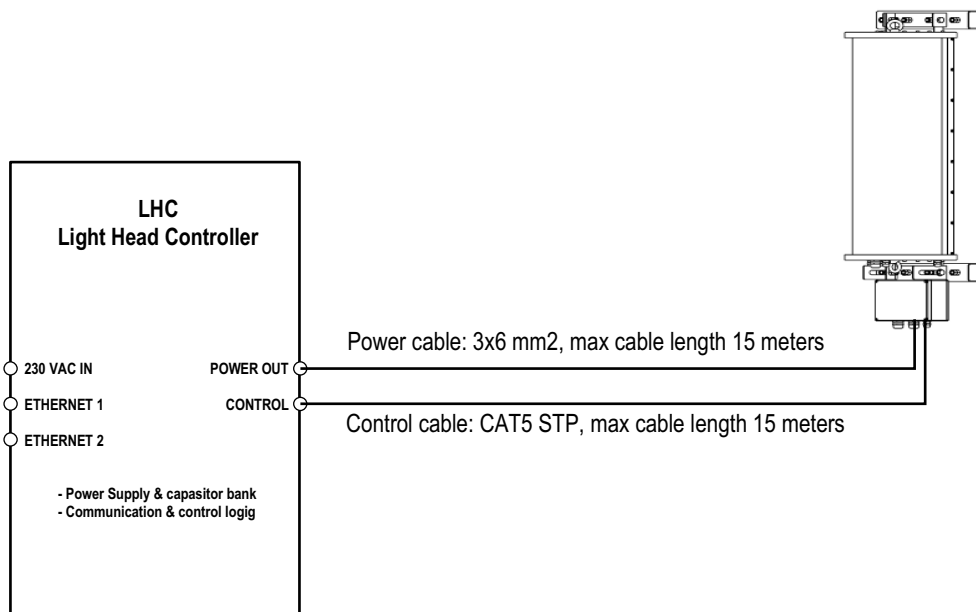
Terminal box connection instructions and cable recommendations:

To lamp 4x2,5 + 4x1mm ²	Power in 3x6/6 mm ²	Control in CAT5
1 = DC+	br = DC+	gr/wh = CDL+
2 = DC-	bk = DC-	gr = CDL-
3 = NC	wh = NC	or/wh = SYNC+
ye/gr = PE	shield = PE	or = SYNC-
5 = CDL+		
6 = CDL-		
7 = SYNC+		
8 = SYNC-		
shield = PE		

Light Head terminal box



POWER AND CONTROL CABLES



Technical information in this document is subject to change without notice. Copyright © Obelux Oy 2012