

48 V_{DC} ICAO Low-intensity, Type A Obstacle Light, replacement unit

Key features

- Based on LED-technology
- Extremely reliable - long lifetime
- Very low power consumption
- 48 V DC nominal supply voltage
- Intensity 18 cd typical
- Stabilised light output
- Easy to install
- Absolutely no RF-radiations
- Safe and easy to use

Benefits

- Long maintenance intervals
- Low energy cost
- Supply power voltage variations do not affect to light output
- Very low total lifetime costs
- Comes with five (5) years warranty

Specifications met

- ICAO International Standards and Recommended Practices:
Aerodromes - Annex 14 Volume 1, 5th Edition, July 2009,
Chapter 6: Low-intensity, Type A Fixed Obstacle Light

Optical characteristics

- Intensity better than 10 cd (18 cd typical)
- Colour aviation red
- Horizontal radiation pattern 360°
- Vertical radiation pattern 50°
- LED supply current stabilised by constant current generator
- Light output degradation less than 30% after 100.000 h of operation

Electrical characteristics

- LEDs in several separate groups
- Nominal operating voltage 48 V_{DC}
- Power consumption less than 5 W
- Operating voltage range 45 to 58 V_{DC}
- Two-stage over-voltage protection

Mechanical characteristics

- Yellow ABS+PC body
- Degree of protection IP 30
- Operating temperature range -55°C ... +55°C
- Height 100 mm, diameter 92 mm, weight 0,1 kg

Installing instructions

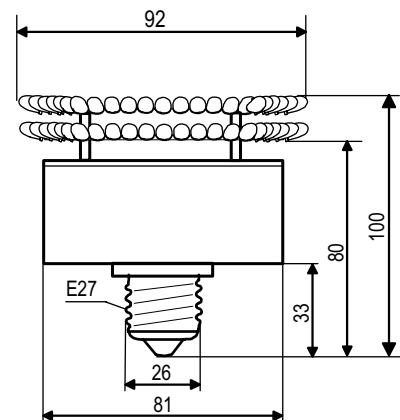
- The E27 base supports dual polarity connection, and the -/+ poles can be connected either way in cabling



Ordering Code: **Obelux 10-48-E27**

Made in Finland



Obelux 10-48-E27



	OPERATING VOLTAGE 48 V DC
	CAUTION ! LED RADIATION DO NOT STARE INTO LED BEAM OR VIEW DIRECTLY WITH OPTICAL INSTRUMENTS. CLASS 2A LED PRODUCT