

**Light head controller, power supply and fault alarm unit
for Obelux MI- and HI- light series****Key features**

- Suitable for up to four Obelux MI-series or two Obelux HI-series light heads
- Constant power consumption with active PFC
- Light head monitoring and alarm generation
- Internal photocell for day/night mode changes
- Multiple LHCs synchronizations
- LCD display and keypad for easy configuration
- Ethernet communication for large systems
- Low maintenance costs
- 5 years warranty

Electrical characteristics

- Operating voltage variations:
 - 48 V_{DC} (36.. 75 V_{DC})
 - 100 V_{AC} (85.. 115 V_{AC})
 - 115 V_{AC} (98... 132 V_{AC})
 - 200 V_{AC} (170...230 V_{AC})
 - 230 V_{AC} (207... 253 V_{AC})
- 2 x 350 W output power
- Constant power input, same peak and average power consumption
- Overvoltage protection
- Operating temperature range -55°C to +55°C
- Flash rate: 20, 40 and 60 fpm
- Flash duration: 100, 150 and 200 ms
- Two Ethernet ports, built-in Ethernet switch

Mechanical characteristics

- Enclosure stainless steel AISI304
- Ingress protection IP65
- Cable glands: 7 x M25, 7 x M16
- Wind load less than 1200 N @ 200 km/h
- Dimensions: 970 x 450 x 200 mm (L x W x D)
- Weight: 45 kg

Alarm relay characteristics

- Potential free DPCO monostable (NC, NO, COM)
- Contact voltage AC max 125V
- Contact voltage DC max 30V
- Contact current max 1A
- Contact resistance max 0.15 ohm

Available options

- GPS flash synchronization
- GSM control and fault reporting
- External photocell
- Fibre optic communication
- Control panel for large system controlling and monitoring

Made in Finland



Picture is for reference only

Obelux LHC-230-700 without mounting set

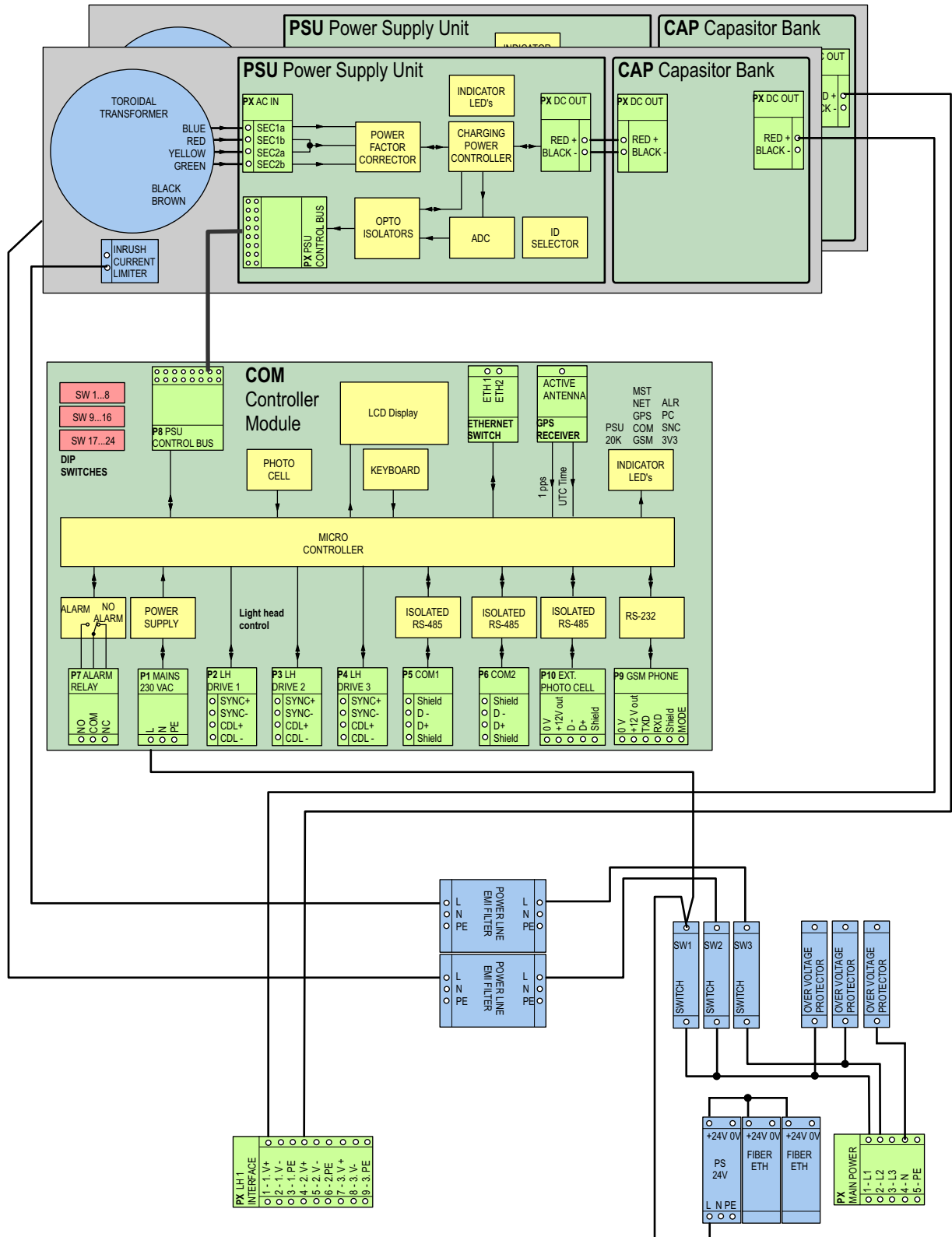
Order codes:

- Obelux LHC-048-700 for 48 V_{DC} system
- Obelux LHC-100-700 for 100 V_{AC} system
- Obelux LHC-115-700 for 115 V_{AC} system
- Obelux LHC-200-700 for 200 V_{AC} system
- Obelux LHC-230-700 for 230 V_{AC} system

Technical information in this document is subject to change without notice. Copyright © Obelux Oy 2013

Light head controller, power supply and fault alarm unit
for Obelux MI- and HI- light series

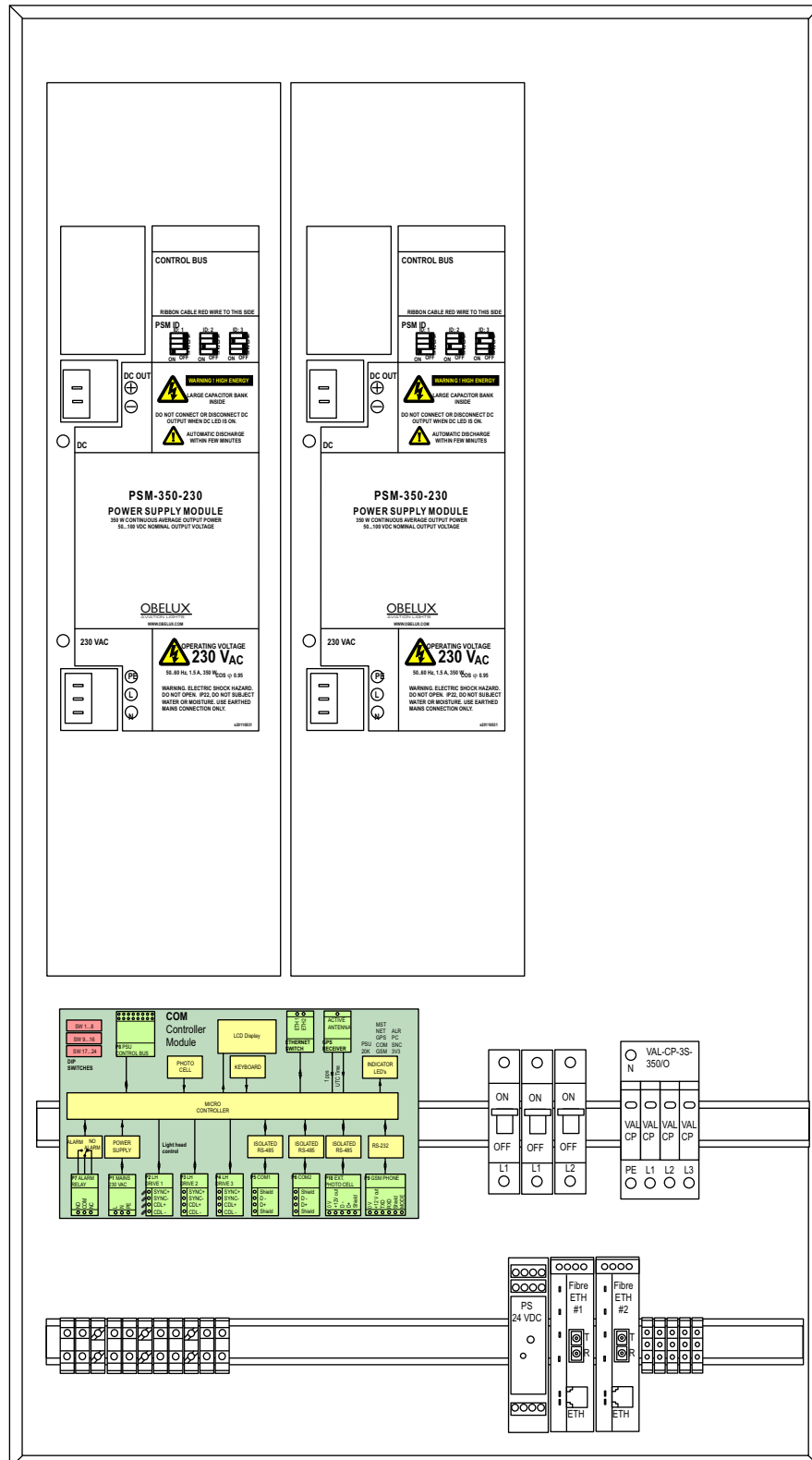
SIMPLIFIED WIRING DIAGRAM



Technical information in this document is subject to change without notice. Copyright © Obelux Oy 2013

Light head controller, power supply and fault alarm unit
for Obelux MI- and HI- light series

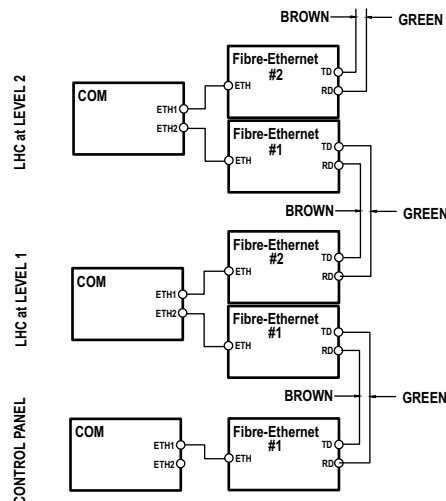
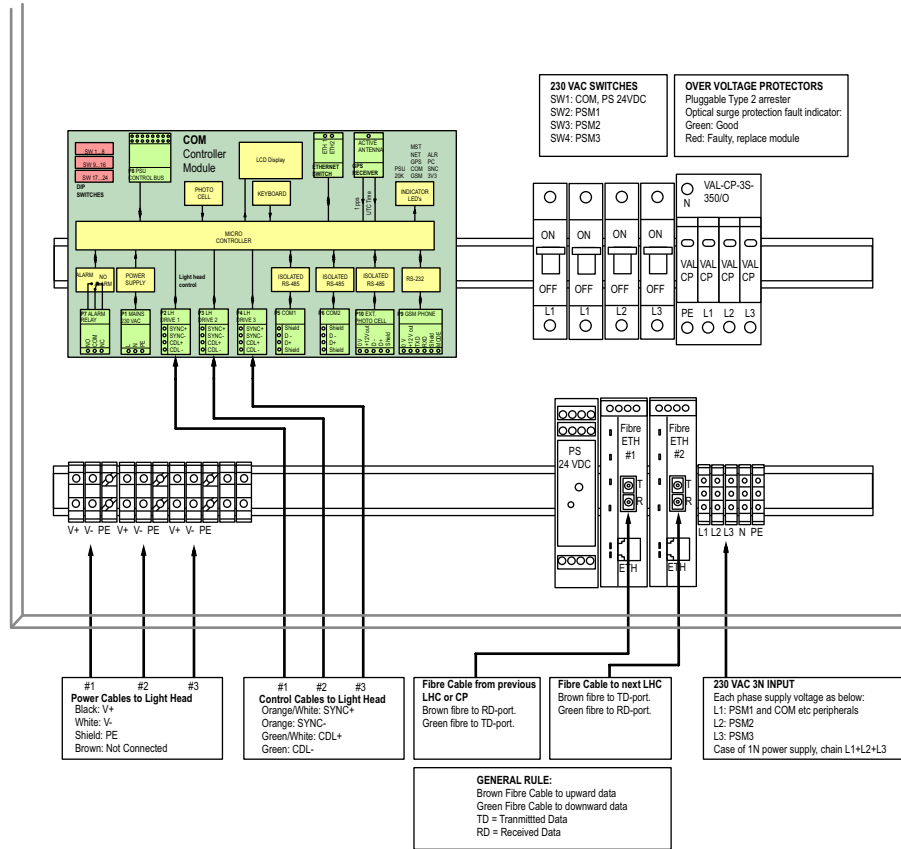
LHC CABINET LAYOUT



Technical information in this document is subject to change without notice. Copyright © Obelux Oy 2013

Light head controller, power supply and fault alarm unit
for Obelux MI- and HI- light series

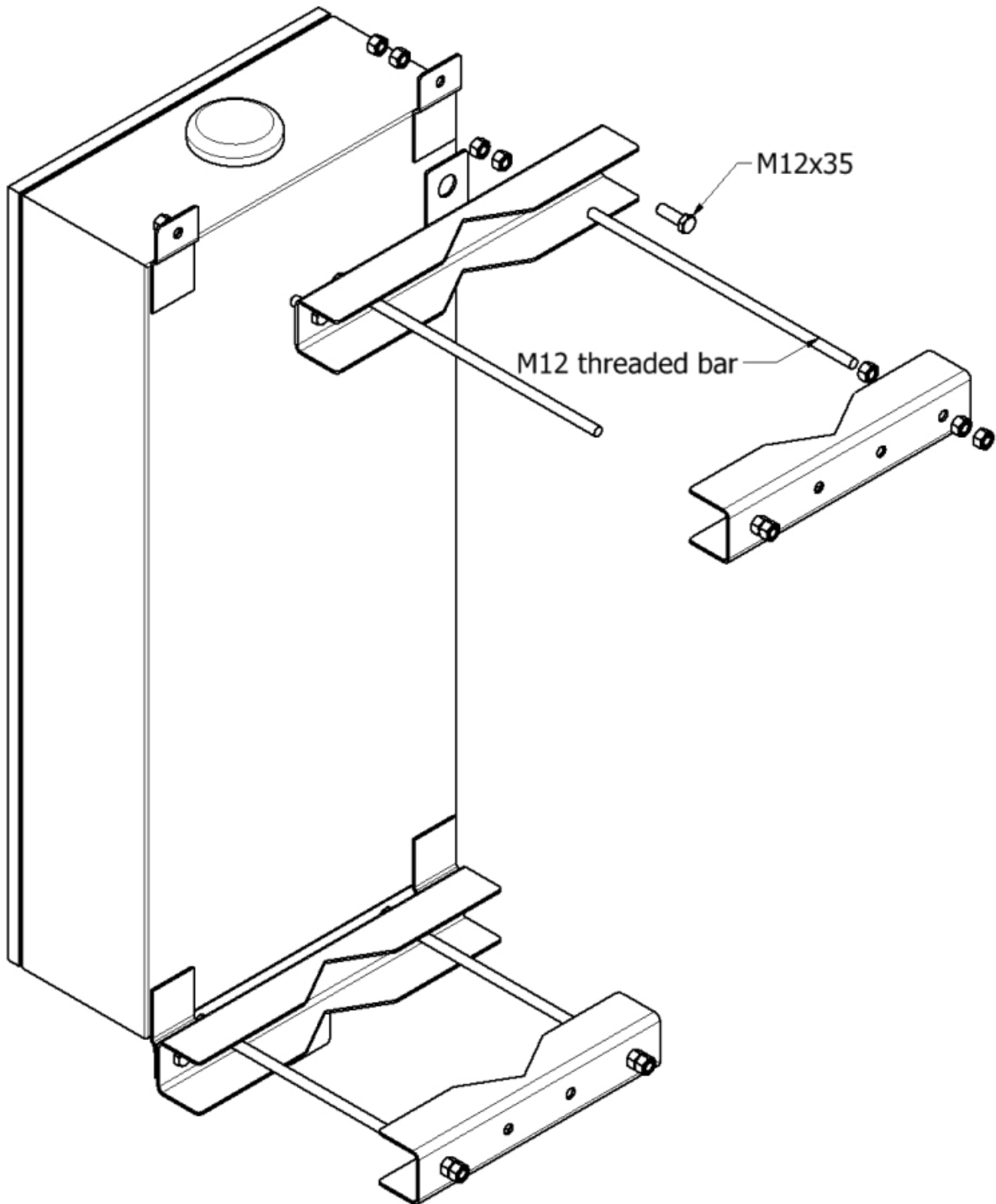
CONNECTIONS



Technical information in this document is subject to change without notice. Copyright © Obelux Oy 2013

Light head controller, power supply and fault alarm unit
for Obelux MI- and HI- light series

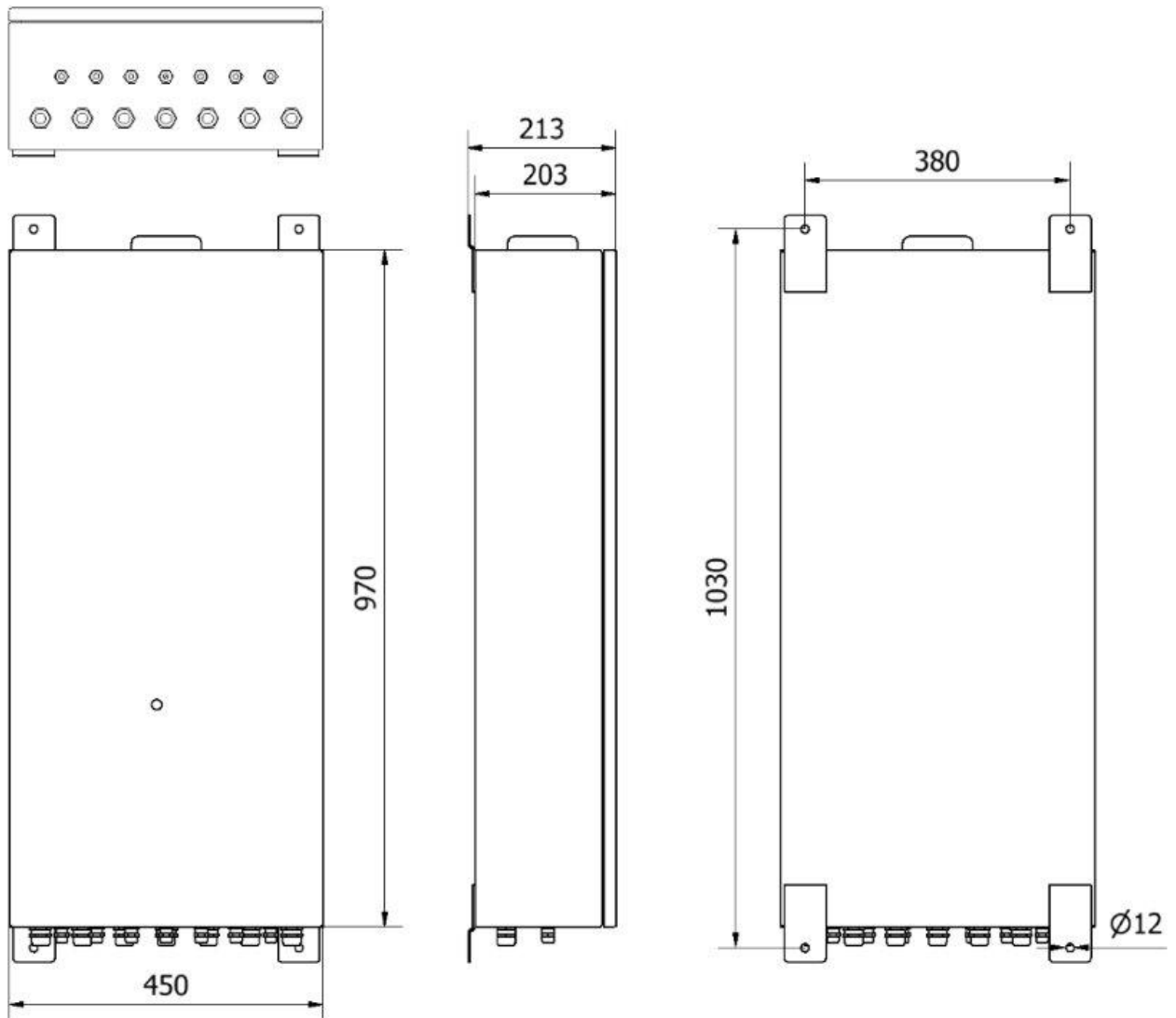
MOUNTING SET



Technical information in this document is subject to change without notice. Copyright © Obelux Oy 2013

Light head controller, power supply and fault alarm unit
for Obelux MI- and HI- light series

MECHANICAL DIMENSIONS



Technical information in this document is subject to change without notice. Copyright © Obelux Oy 2013