

**BMVBW Low Intensity W,rot
170 cd red LED obstacle light, 48 Vdc operating voltage****Key features**

- Based on LED-technology
- Extremely reliable - long lifetime
- Suitable for off-shore use
- Very low power consumption
- Stabilised light output
- W,rot flashing sequence with external flasher
- Lightweight and small – low wind load factor
- Easy to install, several mounting sets available
- Two cable glands, easy to chain without external terminal boxes
- Long maintenance intervals
- Very low total lifetime costs
- No RF-radiations
- Five (5) years warranty
- Patented

Specification met

BMVBW LS 11/60.01.87-01/5 Va 02, 24. September 2002

Optical characteristics

- Nominal intensity 100 cd effective, 170 cd peak
- Colour aviation red
- Horizontal radiation pattern 360°
- Vertical minimum peak intensities with flashing mode:
 - +0,° -0°: 170 cd
 - +5,° -5°: 170 cd
 - +10,° -10°: 34 cd
 - +15,° -15°: 3.4 cd
- Expected lifetime without light output falling 30% >100 000 h

Electrical characteristics

- Operating voltage range 27...60 VDC
- Power consumption 10 W
- Current for the LEDs is stabilised by constant current generator
- Overvoltage protection

Mechanical characteristics

- Anodized marine grade aluminium body and end parts
- AISI 316 acid proof steel screws
- Colourless (clear) glass cover
- Terminal box for 1,5 - 6 mm² wires
- Degree of protection IP 65
- Operating temperature range -55°C to +55°C
- Height 210 mm, diameter 104 mm, weight 1.1 kg
- Wind load with MS-EV60 mounting kit @ 200 km/h less than 40 N

Made in Finland



Obelux LI-170-048-F LED obstacle light

Options

- Mounting kits

Order Code:

Obelux LI-170-048-F

Obelux LI-170-048-PCFL with integrated
photocell and flasher**OPERATING VOLTAGE****48 VDC****CAUTION ! LED RADIATION**DO NOT STARE INTO LED BEAM OR VIEW
DIRECTLY WITH OPTICAL INSTRUMENTS.
CLASS 2A LED PRODUCT

Technical information in this document is subject to change without notice. Copyright © Obelux Oy 2012

Obelux Oy

Kutomotie 6 B

FI-00380 Helsinki

Finland

tel: +358 9 6871 6800

fax: +358 9 621 5518

internet: www.obelux.com

e-mail: info@obelux.com

**BMVBW Low Intensity W,rot
170 cd red LED obstacle light, 48 Vdc operating voltage**

ELECTRICAL INSTALLATION INSTRUCTIONS

Obelux LI-170-048-F has two cable glands for easy chaining without external distribution boxes

Obelux LI-170-048-F is an obstacle light utilizing LED technology. The cabling and installation principles are similar to those of conventional obstacle lights.

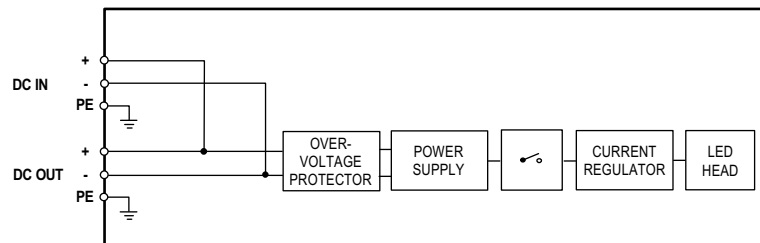
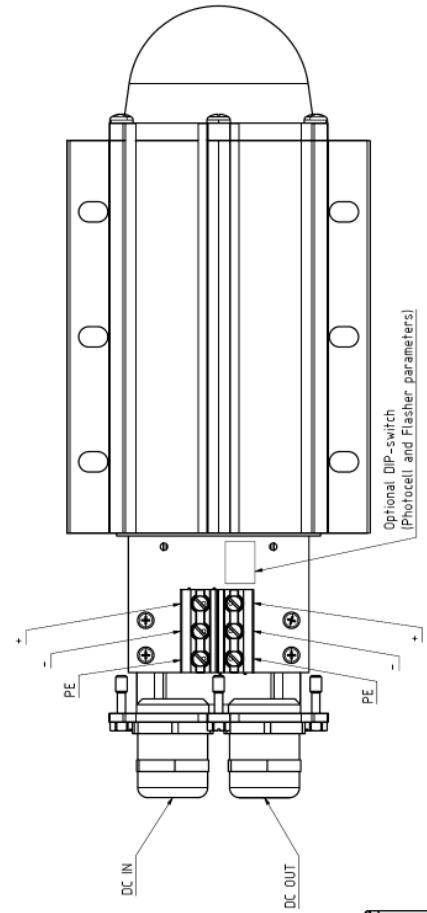
Connection can be protected with a 6 A or 10 A fuse or with a circuit breaker (C curve).

Installation specifications

- Cable gland: M25
- Cable diameter: 11 to 17 mm
- Wire diameter: max. 6 mm²
- Recommended cable: 3x1.5 mm² or 3x2.5 mm²

Options

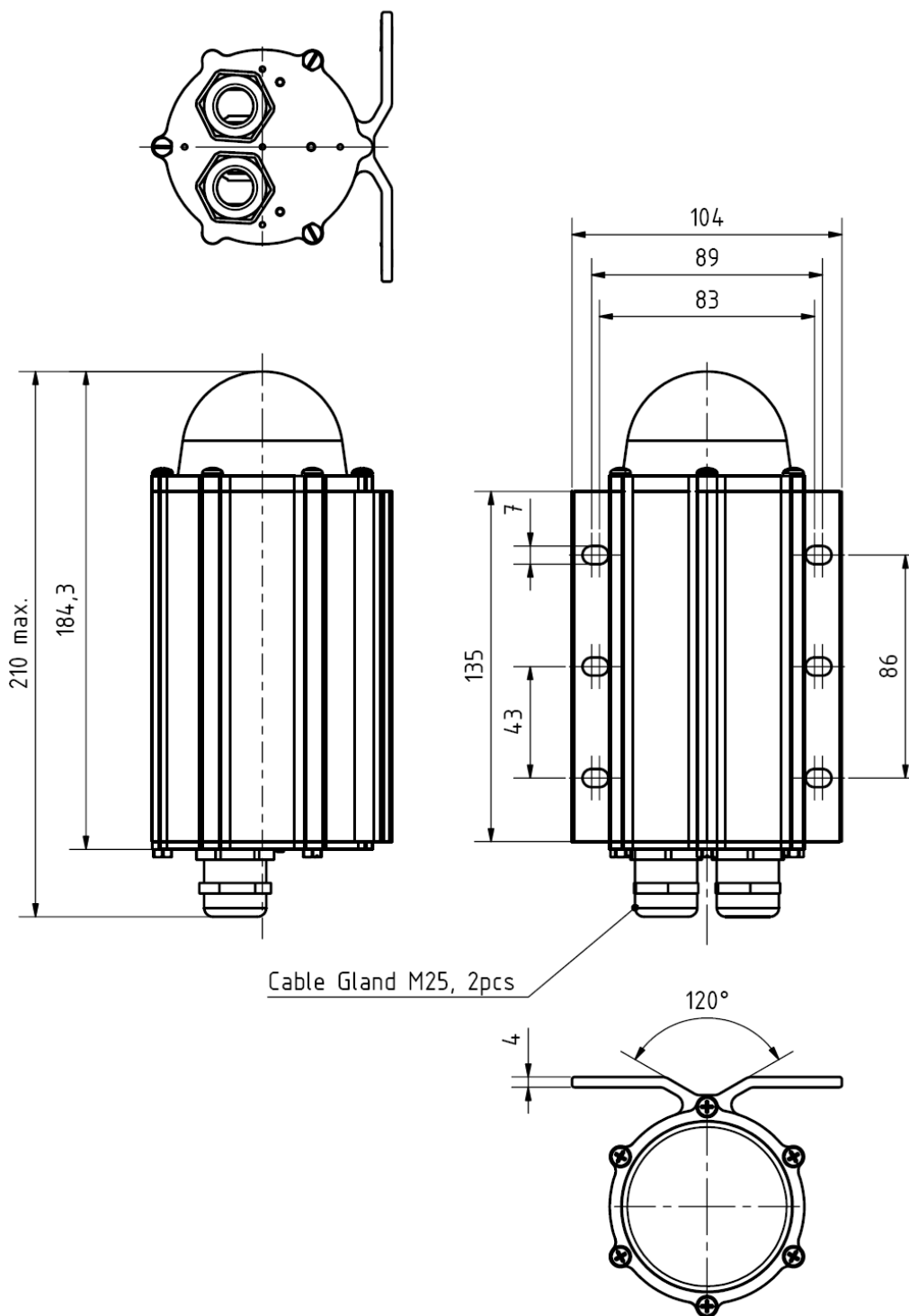
- **CGS-20:** Smaller cable glands
Set include 2 pcs M20 cable glands with M25-M20 adapters for 7-13 mm cables



LI-170-048-F block diagram

Technical information in this document is subject to change without notice. Copyright © Obelux Oy 2012

Mechanical dimensions



Technical information in this document is subject to change without notice. Copyright © Obelux Oy 2012

**BMVBW Low Intensity W,rot
170 cd red LED obstacle light, 48 Vdc operating voltage**

There are several types of mounting sets available as option:

Obelux MS-HV80

Mounting set for 33-80 mm vertical or horizontal pipe

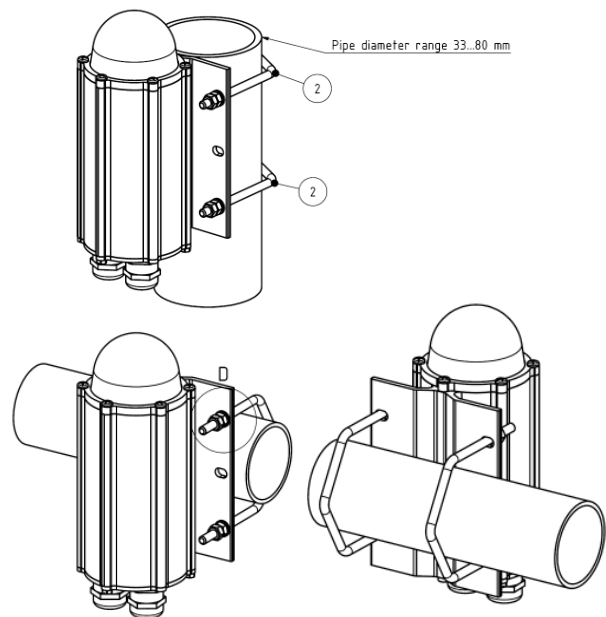
Mounting set include:

- 2 pcs M6 U-bolt
- 8 pcs M6 hex nut
- 4 pcs 6/12 mm washer

All parts AISI 316 acid proof steel

More detailed mechanical data: MS-HV80 datasheet

Order Code: **MS-HV80**

**Obelux MS-EV60**

Mounting set with extension plate
for 30-60 mm vertical pipe installation

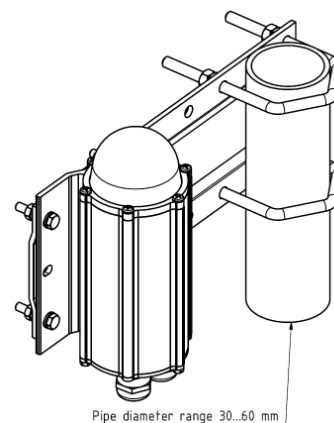
Mounting set include:

- 2 pcs M8 U-bolt, 8 pcs M8 hex nut
- 4 pcs M6x30 bolt, 8 pcs M6 hex nut, 4 pcs 6/12 washer
- 1 pcs extension plate

Extension plate marine grade anodized aluminium,
other parts AISI 316 acid proof steel

More detailed mechanical data: MS-EV60 datasheet

Order Code: **MS-EV60**

**Obelux MS-EV100:**

Mounting set with extension plate
for 60-100 mm vertical pipe installation

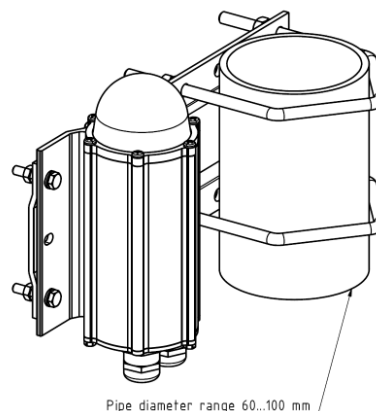
Mounting set include:

- 2 pcs M8 U-bolt, 8 pcs M8 hex nut
- 4 pcs M6x30 bolt, 8 pcs M6 hex nut, 4 pcs 6/12 washer
- 1 pcs extension plate

Extension plate marine grade anodized aluminium,
other parts AISI 316 acid proof steel

More detailed mechanical data: MS-EV100 datasheet

Order Code: **MS-EV100**



Technical information in this document is subject to change without notice. Copyright © Obelux Oy 2012

**BMVBW Low Intensity W,rot
170 cd red LED obstacle light, 48 Vdc operating voltage****Obelux MS-EV150:**

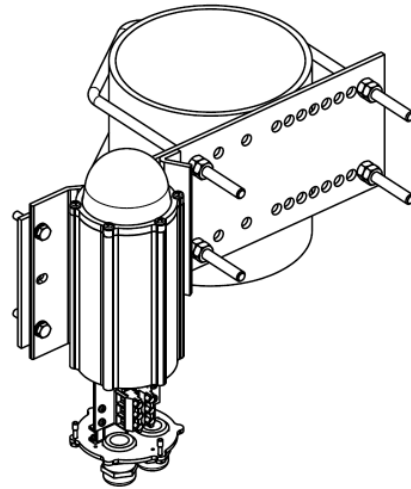
Mounting set with extension plate
for 100-150 mm vertical pipe installation

Mounting set include:

- 2 pcs M8 U-bolt, 8 pcs M8 hex nut
- 4 pcs M6x30 bolt, 8 pcs M6 hex nut, 4 pcs 6/12 washer
- 1 pcs extension plate

Extension plate hot dipped galvanised steel,
other parts AISI 316 acid proof steel
More detailed mechanical data: MS-EV150 datasheet

Order Code: **MS-EV150**

**Obelux MS-DEV60:**

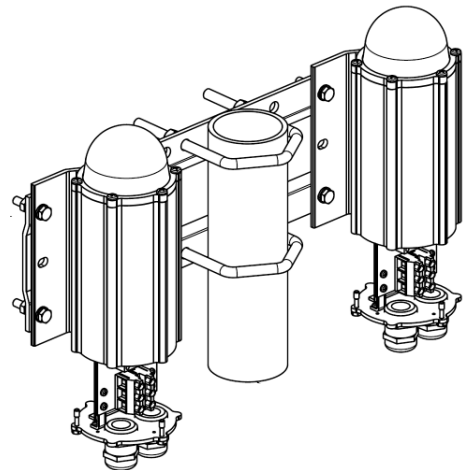
Double mounting set with extension plate
for 30-60 mm vertical pipe installation

Mounting set include:

- 2 pcs M8 U-bolt, 8 pcs M8 hex nut
- 8 pcs M6x30 bolt, 16 pcs M6 hex nut, 8 pcs 6/12 washer
- 1 pcs extension plate

Extension plate marine grade anodised aluminium,
other parts AISI 316 acid proof steel
More detailed mechanical data: MS-DEV60 datasheet

Order Code: **MS-DEV60**

**Obelux MS-DEV100:**

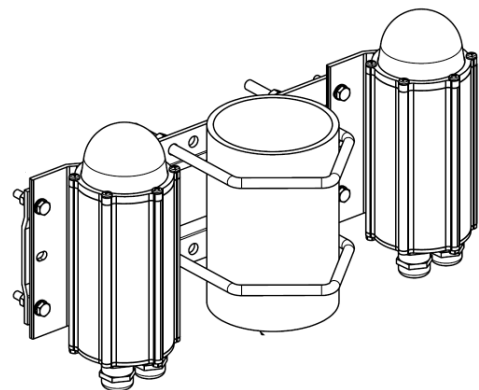
Double mounting set with extension plate
for 60-100 mm vertical pipe installation

Mounting set include:

- 2 pcs M8 U-bolt, 8 pcs M8 hex nut
- 8 pcs M6x30 bolt, 16 pcs M6 hex nut, 8 pcs 6/12 washer
- 1 pcs extension plate

Extension plate marine grade anodised aluminium,
other parts AISI 316 acid proof steel
More detailed mechanical data: MS-DEV100 datasheet

Order Code: **MS-DEV100**



Technical information in this document is subject to change without notice. Copyright © Obelux Oy 2012

BMVBW Low Intensity W,rot
170 cd red LED obstacle light, 48 Vdc operating voltage**Obelux MS-RW**

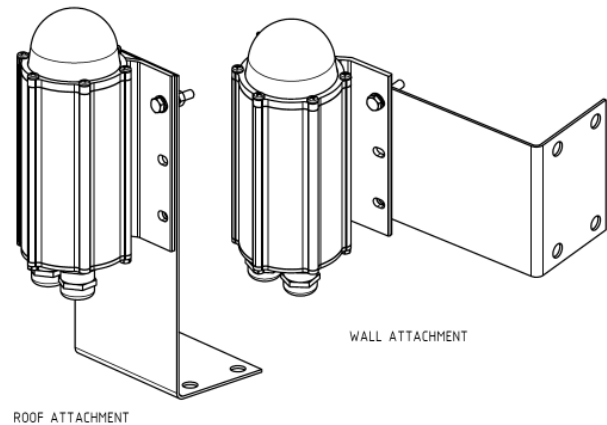
Mounting set for horizontal plate or wall installation

Mounting set include:

- 4 pcs M6x30 bolt, 8 pcs M6 hex nut, 4 pcs 6/12 washer
- 1 pcs L-shape 2 mm plate

All parts AISI 316 acid proof steel

More detailed mechanical data: MS-RW datasheet

Order Code: **MS-RW****Obelux MS-LVU**

Mounting set for L and V -shape profiles

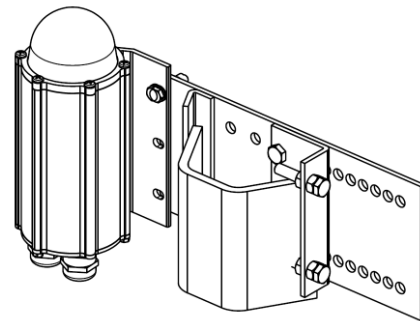
Mounting set include:

- 1 set accessories for light unit fitting to plate
- 1 pcs extension plate with adjusting plate and accessories

Extension plate hot dip galvanized steel, other parts

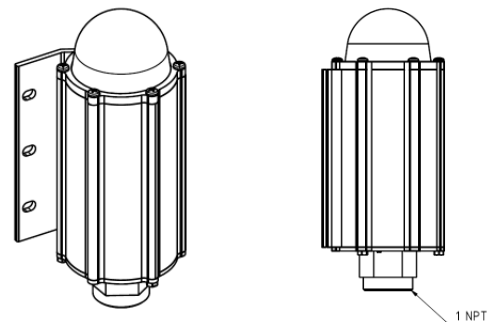
AISI 316 acid proof steel

More detailed mechanical data: MS-LVU datasheet

Order Code: **MS-LVU** (with galvanized extension plate)**MS-LVA** (with AISI 316 extension plate)**Obelux MS-N1B**

Mounting set for 1" NPT at bottom

More detailed mechanical dimensions: MS-N1B dataheet

Order Code: **MS-N1B**

Technical information in this document is subject to change without notice. Copyright © Obelux Oy 2012