

**ICAO Medium Intensity Type A + BMVBW W,rot
20 000 cd white + 170 cd red LED flashing aviation obstacle light****Key features**

- Based on LED-technology
- 20 000/ 100 cd effective flashing white
- Extremely reliable - long lifetime
- Very low power consumption
- Stabilised light output
- Lightweight and small – low wind load factor
- Easy to install
- Patented
- Very low total lifetime costs
- Comes with five (5) years warranty
- Over 10 year continuous, maintenance free operating time
- Controlled by Obelux LHC Light Head Controller

Specifications met

- ICAO International Standards and Recommended Practices:
Aerodromes - Annex 14 Volume 1, 5th Edition, July 2009,
Chapter 6: Medium-intensity, Type A Fixed Obstacle Light
- BMVBW LS 11/60.01.87-01/5 Va 02, 24. September 2002

Optical characteristics

- Day mode:
20 000 cd effective intensity
Colour aviation white
Horizontal radiation pattern 360°
Vertical radiation pattern 3°
- Night mode:
100 cd effective intensity (170 cd peak)
W,rot flash sequence (2/4 ON-duty cycle)
Colour aviation red
Horizontal radiation pattern 360°
Vertical radiation pattern 10° (-5° - +5°)

Electrical characteristics (with LHC)

- Operating voltages 24 or 48 Vdc, 115 or 230 Vac
- Constant power input by active PFC
- Flash rates: 20, 40 and 60 fpm
- Flash durations: 100, 150, 200 and 250 ms
- Power consumptions @ 20 fpm, 100 ms:
Day mode: 65 VA
Night mode: 30 VA
- LED supply current stabilised by constant current generator

Mechanical characteristics

- Anodised marine grade aluminium body
- Glass cover
- Degree of protection IP65
- Operating temperature range -40...+55 °C
- Height 500 mm, diameter 255 mm
- Mounting set -V or -H include
- Light unit weight 20 kg without mounting set
- Mounting set weight 4 kg
- Wind load 1200 N with mounting set @ 200 km/h

Made in Finland



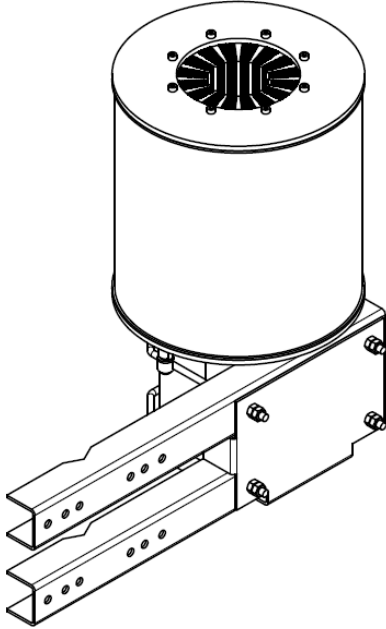
Obelux MI-20KW+170R without mounting set

Order codes:

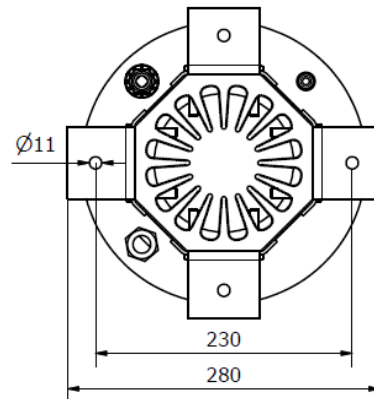
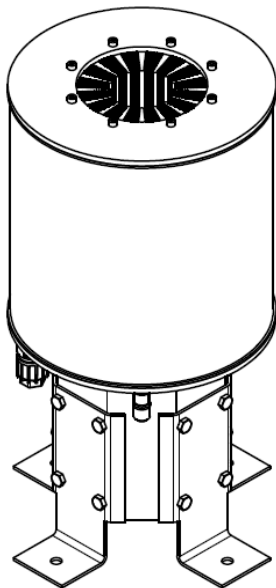
- Obelux MI-20KW+170R-V with vertical mounting set
- Obelux MI-20KW+170R-H with horizontal mounting set

Technical information in this document is subject to change without notice. Copyright © Obelux Oy 2012

Mounting set -V. Mounting to vertical pipe:



Mounting set -H. Mounting to horizontal surface:



Technical information in this document is subject to change without notice. Copyright © Obelux Oy 2012

**ICAO Medium Intensity Type A + BMVBW W,rot
20 000 cd white + 170 cd red LED flashing aviation obstacle light**

INSTALLATION INSTRUCTIONS

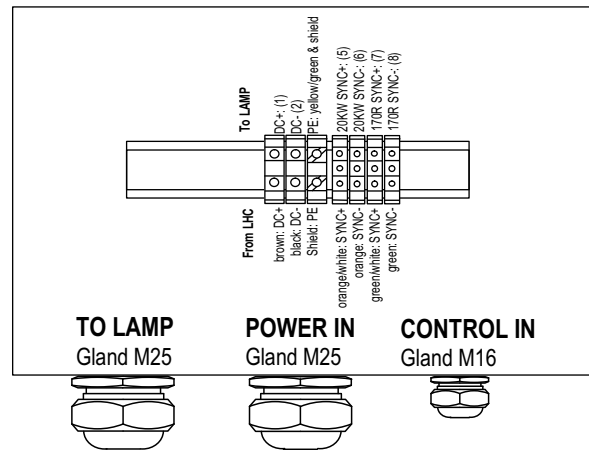
LIGHT HEAD TERMINAL BOX CONNECTIONS

Obelux MI-20KW+170R light head is connected to light head controller, LHC, via terminal box included in light head. LHC provides light head's supply voltage and flash control with separate cables which are connected to light head's terminal box.

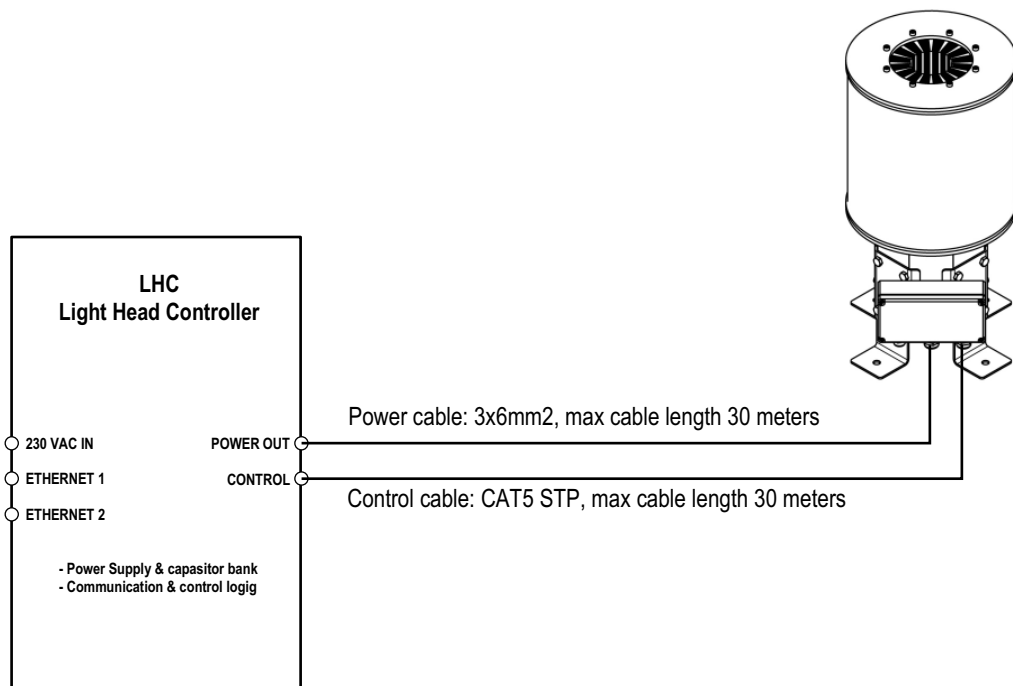
Terminal box connection instructions and cable recommendations:

To lamp	Power in	Control in
4x2,5 + 4x1mm²	3x6mm²	CAT5
1 = DC+	br = DC+	or/wh = 20KW SYNC+
2 = DC-	bk = DC-	or = 20KW SYNC-
3 = NC	wh = NC	gr/wh = 170R SYNC+
ye/gr = PE	shield = PE	gr = 170R SYNC-
5 = 20KW SYNC+		
6 = 20KW SYNC-		
7 = 170R SYNC+		
8 = 170R SYNC-		
shield = PE		

Light Head terminal box



POWER AND CONTROL CABLES



Technical information in this document is subject to change without notice. Copyright © Obelux Oy 2012