

**Key features**

- Based on LED-technology
- 2 000 cd steady burning red light
- 2 000 cd flashing with CSW flash controller unit or power supply PS-12-6A-PCFL
- Extremely reliable - long lifetime
- Very low power consumption
- 12 VDC nominal operating voltage
- Stabilised light output
- Lightweight and small – low wind load factor
- Easy to install
- No RF-radiations
- Long maintenance intervals
- Comes with five (5) years warranty
- Patented

**Specifications met**

- ICAO International Standards and Recommended Practices: Aerodromes - Annex 14 Volume 1, 5th Edition, July 2009, Chapter 6: Medium-intensity, Type C Fixed Obstacle Light
- FAA Advisory Circular 150/5345-43F 09/12/06: L-864 and L-885 light unit
- Certified by STAC France and FVT Germany

**Optical characteristics**

- Intensity 2 000 cd
- Colour aviation red
- Horizontal radiation pattern 360°
- Vertical radiation pattern 3°
- LED supply current stabilised by constant current generator
- More than 10 year continuous maintenance free operating time

**Electrical characteristics**

- LEDs in several separate groups
- Nominal operating voltage 12 VDC
- Power consumption 30 W @ steady burning
- Power consumption 2.5 W @ 20 fpm, flash duration 250 ms
- Constant current 2.5 A
- Operating voltage range 10.5...16 VDC
- Operating temperature range -40...+55°C
- Three-stage overvoltage protection

**Mechanical characteristics**

- Anodised aluminium body
- Glass cover
- Terminal box for 1.5...6 mm<sup>2</sup> wires
- Ingress protection IP65
- Height 284 mm, diameter 154 mm
- Mounting set -V or -H and terminal box include
- Light unit weight 3 kg without mounting set
- Wind load with mounting set 500 N @ 200 km/h



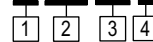
Obelux MI-2KR-012-x without mounting set

**Options**

- CSW-12-x-F: Flash controller
- CSW-12-x-F-GPS: Flash controller with global flash sequency synchronisation by GPS-UTC time
- CSW-12-x-F-GSM controller with GSM communication
- Power supply PS-12-6A, 230 VAC / 12 Vdc, 6 A
- Power supply PS-12-6A-PCFL with flash controller and photocell
- Battery back-up system
- Solar operated power supply system (SPOL)
- Mounting kits


**Order code:**

Obelux MI-2KR-012-V



- 1 Serie**  
MI: Medium Intensity
- 2 Luminous intensity and light colour**  
2KR: 2 000 cd, Red
- 3 Operating Voltage**  
012: 12 Vdc  
024: 24 Vdc  
048: 48 Vdc  
115: 115 VAC  
230: 230 VAC
- 4 Mounting set**  
V: Mounting to vertical pipe  
H: Mounting to horizontal plate


Made in Finland



**OPERATING VOLTAGE**

**12 V DC**

---



**CAUTION ! LED RADIATION**

DO NOT STARE INTO LED BEAM OR VIEW DIRECTLY WITH OPTICAL INSTRUMENTS.  
CLASS 2A LED PRODUCT

**ICAO Medium Intensity Type B and C, FAA L-864 and L-885,  
2 000 cd red obstacle light, 12 Vdc operating voltage**

Obelux MI-2KR-012-x is an obstacle light utilizing LED technology. The cabling and installation principles are similar to those of conventional obstacle lights, the only exception being the correct polarity required by DC feed.

Terminal box include screw terminals and overvoltage protectors.

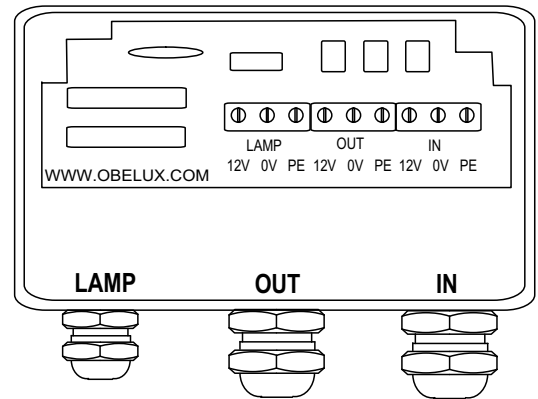
The polarity is:

- Blue -
- Black +
- Yellow-Green PE

All connection alternatives can be protected with a 6 A or 10 A fuse or with a circuit breaker (C curve).

**Installation specifications**

- Cable gland: M25
- Cable diameter: 11...17 mm
- Wire diameter: max. 6 mm<sup>2</sup>
- Recommended cable: 2x1.5+1.5 or 2x2.5+2.5 mm<sup>2</sup>

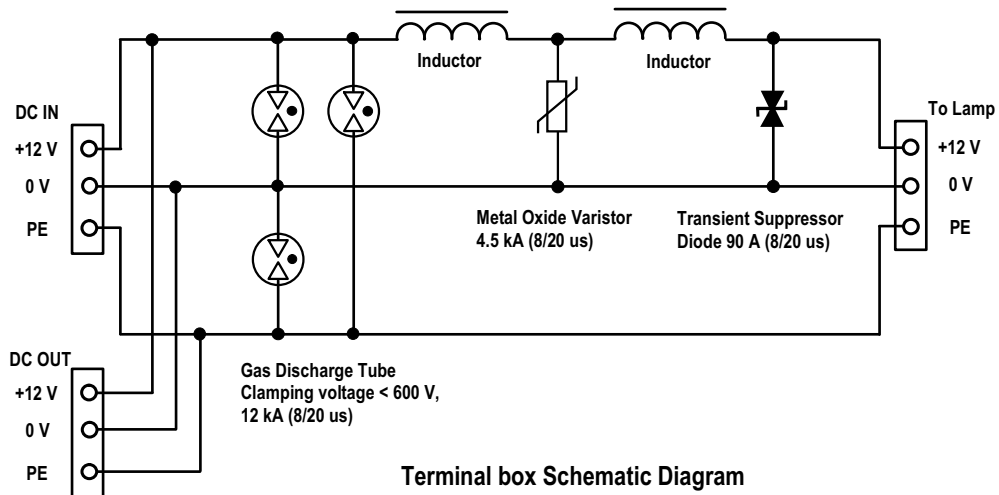


Cable Gland  
M20 for 8-13 mm  
cable

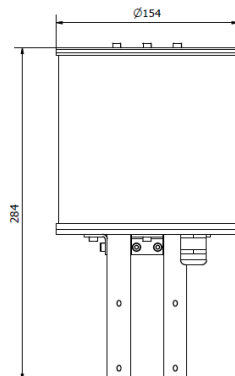
Cable Gland  
M25 for 11-17 mm  
cable

Cable Gland  
M25 for 11-17 mm  
cable

**Terminal box**



**Terminal box Schematic Diagram**



**OPERATING VOLTAGE**

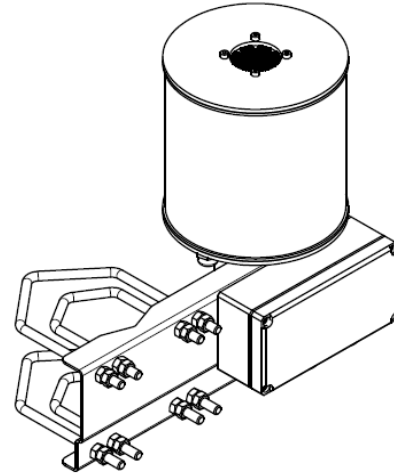
**12 V DC**

---

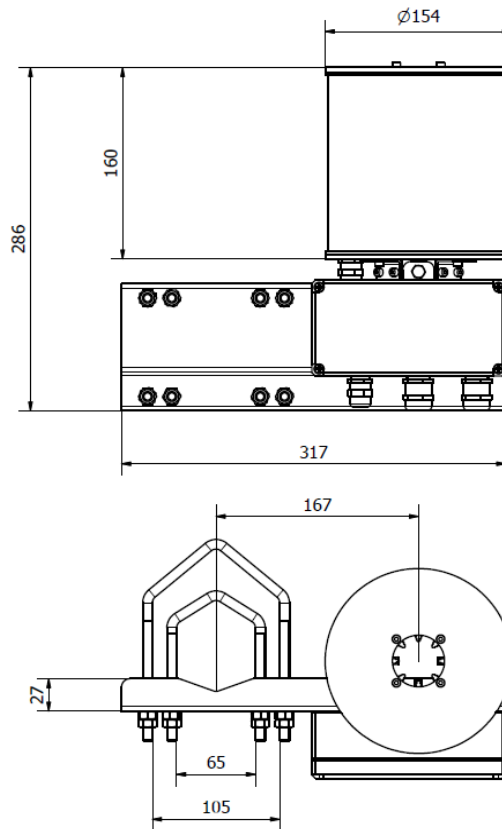
**CAUTION ! LED RADIATION**

DO NOT STARE INTO LED BEAM OR VIEW DIRECTLY WITH OPTICAL INSTRUMENTS. CLASS 2A LED PRODUCT

Obelux MI-2KR-xxx-V  
Light unit with -V mounting set. Mounting to Vertical pipe



Mounting plate, U-bolts, hex nuts: Acid Proof steel  
Terminal box: Polycarbonate  
Mounting set weight: 0.7 kg

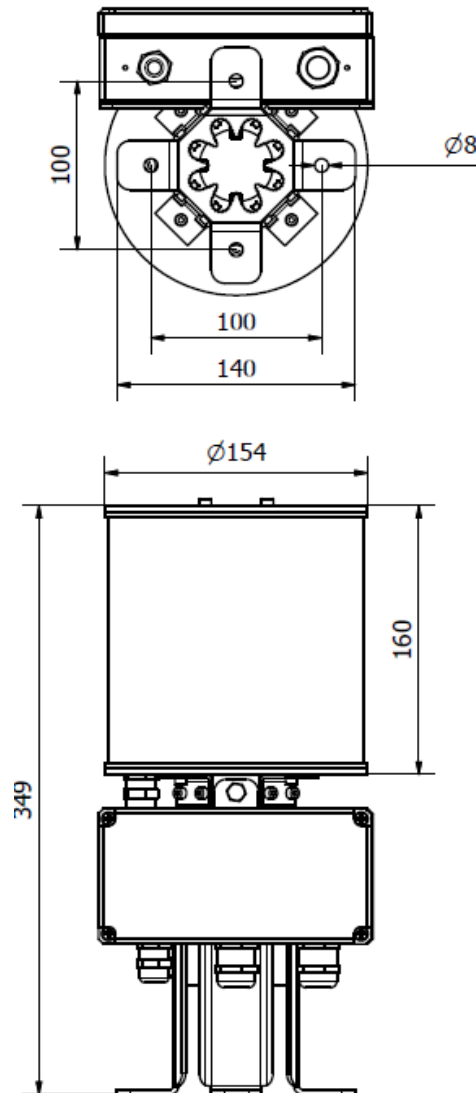


Technical information in this document is subject to change without notice. Copyright © Obelux Oy 2012

**Obelux MI-2KR-xxx-H**

Light unit with -H mounting set. Mounting to Horizontal plate by L-shape brackets

Mounting plate: Aluminium  
U-bolts, hex nuts: Acid Proof steel  
Terminal box: Polycarbonate  
Mounting set weight: 0.3 kg



Technical information in this document is subject to change without notice. Copyright © Obelux Oy 2012