

230 V_{AC} ICAO Low-intensity, Type A Obstacle Light

Key features

- Based on LED-technology
- Extremely reliable - long lifetime
- Very low power consumption
- 230 V_{AC} nominal supply voltage
- Stabilised light output
- Lightweight and small – low wind load factor
- Easy to install
- Absolutely no RF-radiations

Benefits

- Long maintenance intervals
- Low energy cost
- Supply power voltage variations do not affect to light output
- Very low total lifetime costs
- Low wind load
- Two-stage over-voltage protection
- Easy to chain
- Comes with five (5) years warranty

Specifications met

- ICAO International Standards and Recommended Practices:
Aerodromes - Annex 14 Volume 1, 5th Edition, July 2009,
Chapter 6: Low-intensity, Type A Fixed Obstacle Light

Optical characteristics

- Intensity better than 10 cd
- Colour aviation red
- Horizontal radiation pattern 360°
- Vertical radiation pattern 50°
- LED supply current stabilised by constant current generator
- Light output degradation less than 30% after 100.000 h of operation

Electrical characteristics

- LEDs in separate groups
- Nominal operating voltage 230 V_{AC}
- Power consumption 7 VA
- Operating voltage range 210...250 V_{AC}

Mechanical characteristics

- Yellow painted aluminium body
- Colourless (clear) glass cover
- Terminal box for 1,5 - 6 mm² wires
- Weather protection to IP 65
- Operating temperature range -55°C ... +55°C
- Height 235 mm, diameter 120 mm, weight 1,1 kg
- Wind load with MS-60 mounting kit @ 200 km/h less than 40 N

Options

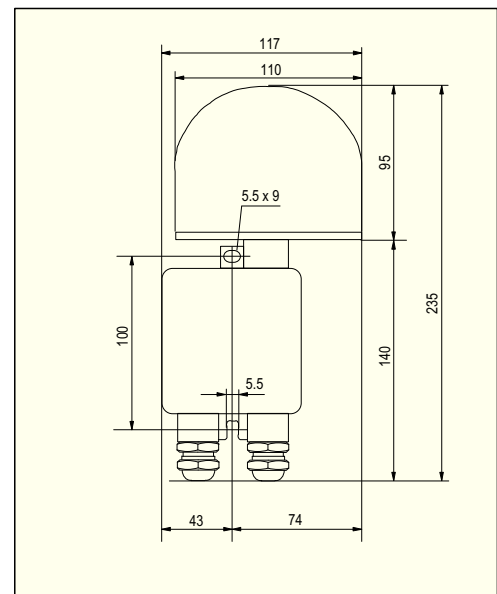
- MS-60 Mounting kit
- MS-100 Mounting kit
- PCFL-230-B Photocell

Ordering Code: **Obelux 10-230-F**

Made in Finland



Obelux 10-230-F



Obelux 10-230-F dimensions

OPERATING VOLTAGE
230 V_{AC}

CAUTION ! LED RADIATION
DO NOT STARE INTO LED BEAM OR VIEW
DIRECTLY WITH OPTICAL INSTRUMENTS.
CLASS 2A LED PRODUCT

Technical information in this document is subject to change without notice. Copyright © Obelux Oy 2011

230 V_{AC} ICAO Low-intensity, Type A Obstacle Light

Obelux 10-230-F is an obstacle light utilizing LED technology. The cabling and installation principles are similar to those of conventional obstacle lights.

Connection can be protected with a 6 A or 10 A fuse or with a circuit breaker (C curve).

Installation specifications

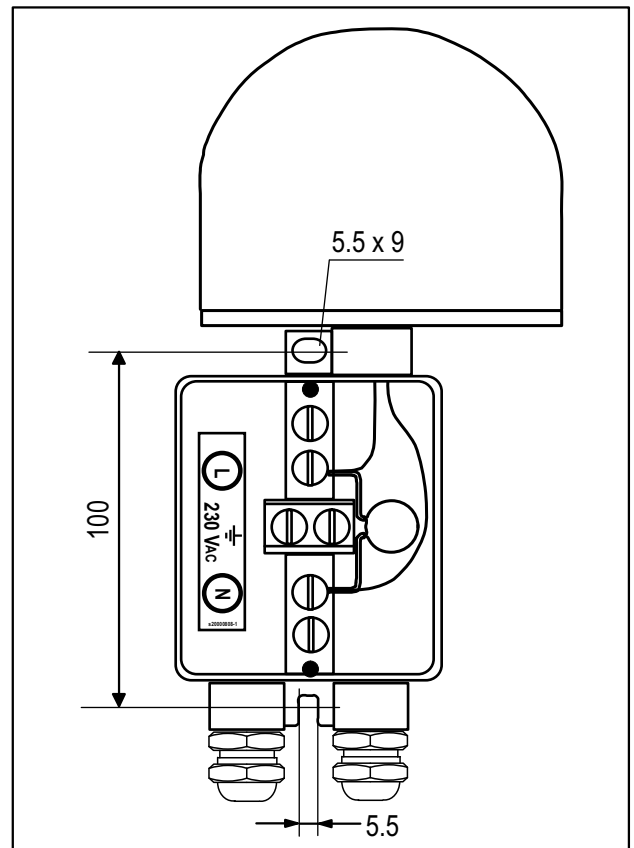
- Cable gland: PG 16
- Cable diameter: 8...14 mm
- Wire diameter: max. 6 mm²
- Recommended cable: 4x1.5+1.5 or 2x1.5+1.5 mm²
- Fixing hole distance: 100 mm
- Fixing screw diameter: max. 5 mm
- Fixing base thickness: 5 mm

Mounting sets

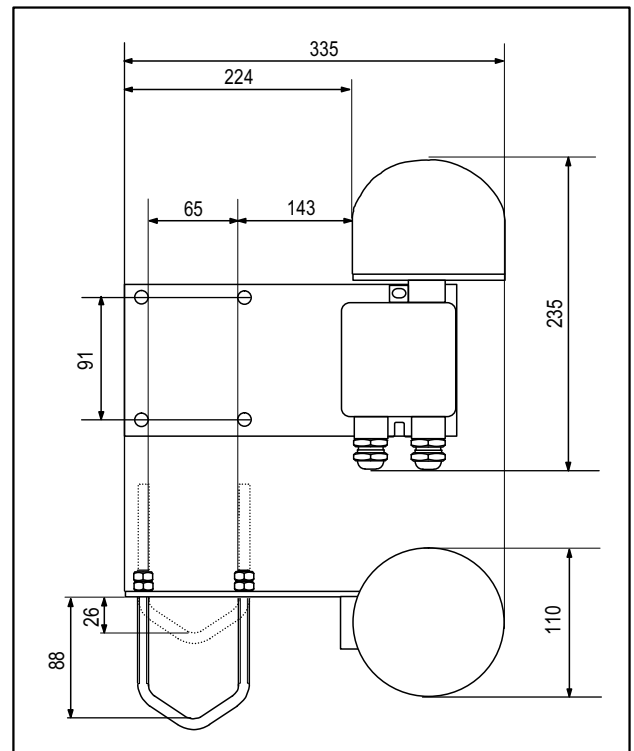
- MS-60: Mounting onto Ø 30...60 mm pipes
- MS-100: Mounting onto Ø 60...100 mm pipes
- U-bolts and hex nuts M8: acid-proof steel
- Mounting plate: black anodized aluminium

Options

- MS-60 Mounting kit
- MS-100 Mounting kit



Obelux 10-230-F terminal box



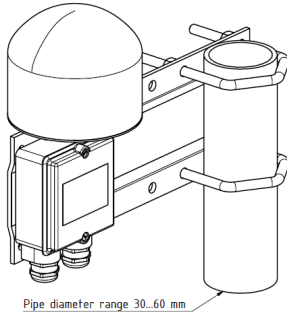
Obelux 10-230-F with MS-60 mounting set



Technical information in this document is subject to change without notice. Copyright © Obelux Oy 2011

230 V_{AC} ICAO Low-intensity, Type A Obstacle Light

There are several types of mounting sets available as option. For example:

**Obelux MS-60**

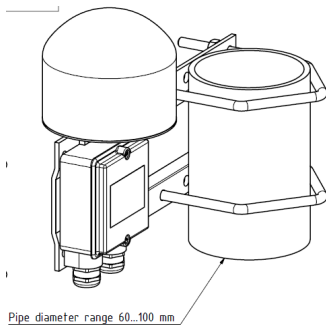
Mounting set with extension plate
for 30-60 mm vertical pipe installation

Mounting set include:

- 2 pcs 65 mm, M8 U-bolt, 8 pcs M8 hex nut
- 2 pcs M5x30 bolt, 2 pcs M5 nyloc hex nut, 2 pcs washer
- 1 pcs extension plate

Extension plate marine grade anodized aluminium,
other parts AISI 316 acid proof steel
More detailed mechanical data: MS-60 datasheet

Order Code: **MS-60**

**Obelux MS-100**

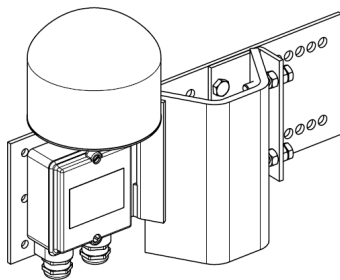
Mounting set with extension plate
for 60-100 mm vertical pipe installation

Mounting set include:

- 2 pcs 105 mm, M8 U-bolt, 8 pcs M8 hex nut
- 2 pcs M5x30 bolt, 2 pcs M5 nyloc hex nut, 2 pcs washer
- 1 pcs extension plate

Extension plate marine grade anodized aluminium,
other parts AISI 316 acid proof steel
More detailed mechanical data: MS-100 datasheet

Order Code: **MS-100**

**Obelux MS-TRA-LVU**

Mounting set for L and V -shape profiles

Mounting set include:

- 1 set accessories for light unit fitting to plate
- 1 pcs extension plate with adjusting plate and accessories

Extension plate hot dip galvanized steel, other parts
AISI 316 acid proof steel
More detailed mechanical data: MS-TRA-LVU datasheet

Order Code: **MS-TRA-LVU** (with galvanized extension plate)
MS-TRA-LVA (with AISI 316 extension plate)

Technical information in this document is subject to change without notice. Copyright © Obelux Oy 2011