

24 V_{DC} ICAO Low-intensity, Type A Obstacle Light

Key features

- Extremely reliable - long lifetime
- Very low power consumption
- 24 V_{DC} nominal supply voltage
- Intensity > 10 cd
- Stabilised light output
- Lightweight and small – low wind load factor
- Easy to install
- Absolutely no RF-radiations

Benefits

- Long maintenance intervals
- Low energy cost
- Supply power voltage variations do not affect to light output
- Very low total lifetime costs
- Low wind load
- Easy to chain
- Comes with five (5) years warranty

Specifications met

- ICAO International Standards and Recommended Practices:
Aerodromes - Annex 14 Volume 1, 5th Edition, July 2009,
Chapter 6: Low-intensity, Type A Fixed Obstacle Light

Optical characteristics

- Intensity better than 10 cd
- Colour aviation red
- Horizontal radiation pattern 360°
- Vertical radiation pattern 50°
- LED supply current stabilised by constant current generator
- Light output degradation less than 30% after 100.000 h of operation

Electrical characteristics

- Nominal operating voltage 24 V_{DC}
- Leds are in several separate groups
- Power consumption less than 2,8 W (< 0,12 A constant current)
- Operating voltage range 22 to 30 V_{DC}
- Two-stage over-voltage protection

Mechanical characteristics

- Yellow painted aluminium body
- Glass cover
- Terminal box for 1,5 - 6 mm² wires
- Weather protection to IP 65
- Operating temperature range -55°C ... +55°C
- Height 235 mm, diameter 120 mm, weight 0,9 kg
- Wind load with MS-60 mounting kit @ 200 km/h less than 40 N

Options

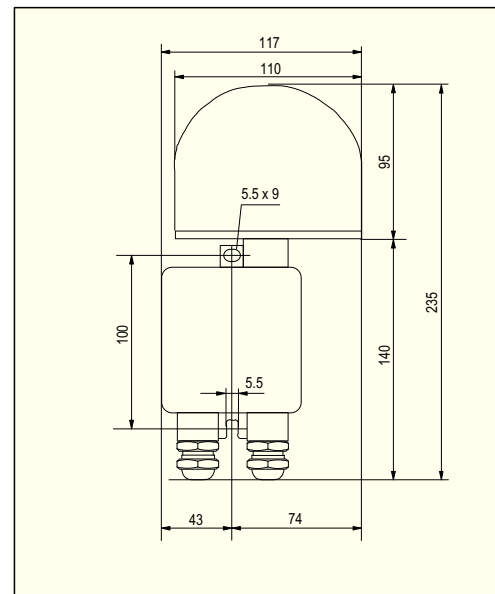
- MS-60 Mounting kit
- MS-100 Mounting kit
- PCFL-DC1-B Photocell
- CSW Photocell/Change Switch Unit

Order code: **Obelux 10-24-F**

Made in Finland



Obelux 10-24-F



Obelux 10-24-F dimensions

	OPERATING VOLTAGE
	24 VDC
	CAUTION ! LED RADIATION
	DO NOT STARE INTO LED BEAM OR VIEW DIRECTLY WITH OPTICAL INSTRUMENTS. CLASS 2A LED PRODUCT

Technical information in this document is subject to change without notice. Copyright © Obelux Oy 2011

24 V_{DC} ICAO Low-intensity, Type A Obstacle Light

Obelux 10-24-F is an obstacle light utilizing LED technology. The cabling and installation principles are similar to those of conventional obstacle lights, the only exception being the correct polarity required by DC feed.

The recommended polarity is:

Blue -
Black +

All connection alternatives can be protected with a 6 A or 10 A fuse or with a circuit breaker (C curve).

Technical specifications

- Operating voltage: 24 VDC
- Power consumption: <2,8W
- Current consumption: < 0,12 A
- Two-stage overvoltage protection
- Weather protection: IP65
- Operating temperature range: -55 to +55 °C
- Height: 235 mm
- Diameter: 120 mm
- Glass cover thickness: 5 mm
- Terminal box: yellow powder painted die cast Aluminium
- Weight: 0,9 kg

Installation specifications

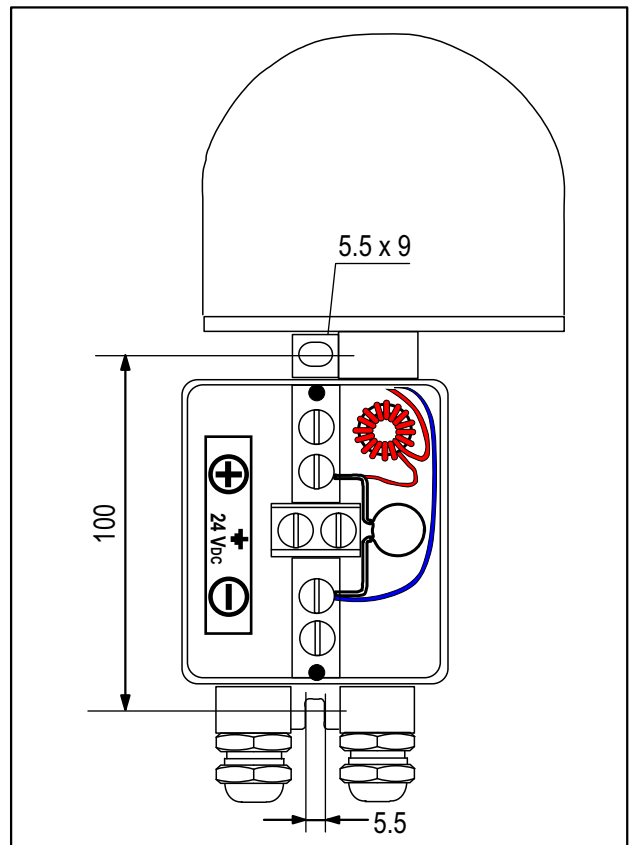
- Cable gland: PG 16
- Cable diameter: 8...14 mm
- Wire diameter: max. 6 mm²
- Recommended cable: 2x2.5+2.5 or 2x1.5+1.5 mm²
- Fixing hole distance: 100 mm
- Fixing screw diameter: max. 5 mm
- Fixing base thickness: 5 mm

Mounting sets

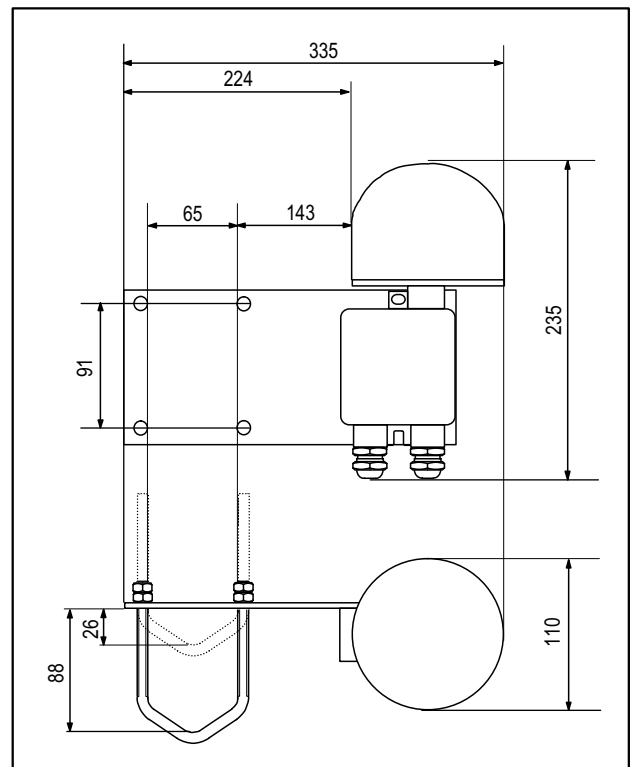
- MS-60: Mounting onto Ø 30...60 mm pipes
- MS-100: Mounting onto Ø 60...100 mm pipes
- U-bolts and hex nuts M8: acid-proof steel
- Mounting plate: black anodized aluminium

Options

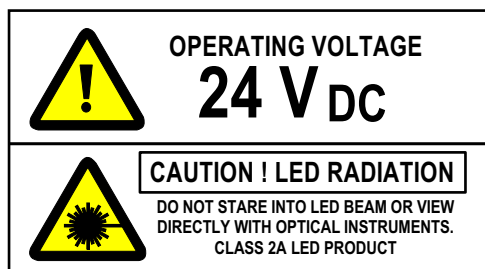
- MS-60 Mounting kit
- MS-100 Mounting kit
- PCFL-DC1-B Photocell
- CSW Photocell/Change Switch Unit



Obelux 10-24-F terminal box



Obelux MS-60 mounting set



Technical information in this document is subject to change without notice. Copyright © Obelux Oy 2011