

**Control Panel to control multiple Obelux LHCs  
with synchronization, status monitoring and reporting****Key features**

- LHC monitoring and alarm generation
- Suitable for Obelux Light Head Controllers
- Can synchronize multiple Obelux Light Head Controllers
- Time and lux server
- Internal or external photocell
- Graphical user interface
- Communicates with LHCs using TCP/IP (v4)
- Easy to install
- 5 years warranty

**Electrical characteristics**

- Five operating voltages available (see order codes):  
48 V<sub>DC</sub>  
100 V<sub>AC</sub>, 115 V<sub>AC</sub>, 200 V<sub>AC</sub> and 230 V<sub>AC</sub>
- Overvoltage protection
- Operating temperature range -55°C to +55°C
- Two isolated RS-485 interfaces
- Two Ethernet ports, built-in Ethernet switch

**Mechanical characteristics**

- Enclosure painted steel
- Ingress protection rating IP66
- 4 cable glands: 3 x M25, 1 x M16
- Wind load less than 1200 N @ 200 km/h
- Dimensions: 400 x 300 x 210 mm (L x W x D)
- Weight: 9 kg

**Alarm relay characteristics**

- Dry-contact DPCO monostable (NC, NO, COM)
- Relay contact ratings:  
AC voltage max 125 V  
DC voltage max 30 V  
Contact current max 1 A  
Contact resistance max 0.15 ohm

**Options:**

- GPS synchronization
- GSM control and status reporting
- WEB server
- Fiber optic communication

**Obelux CP-230****Order codes:**

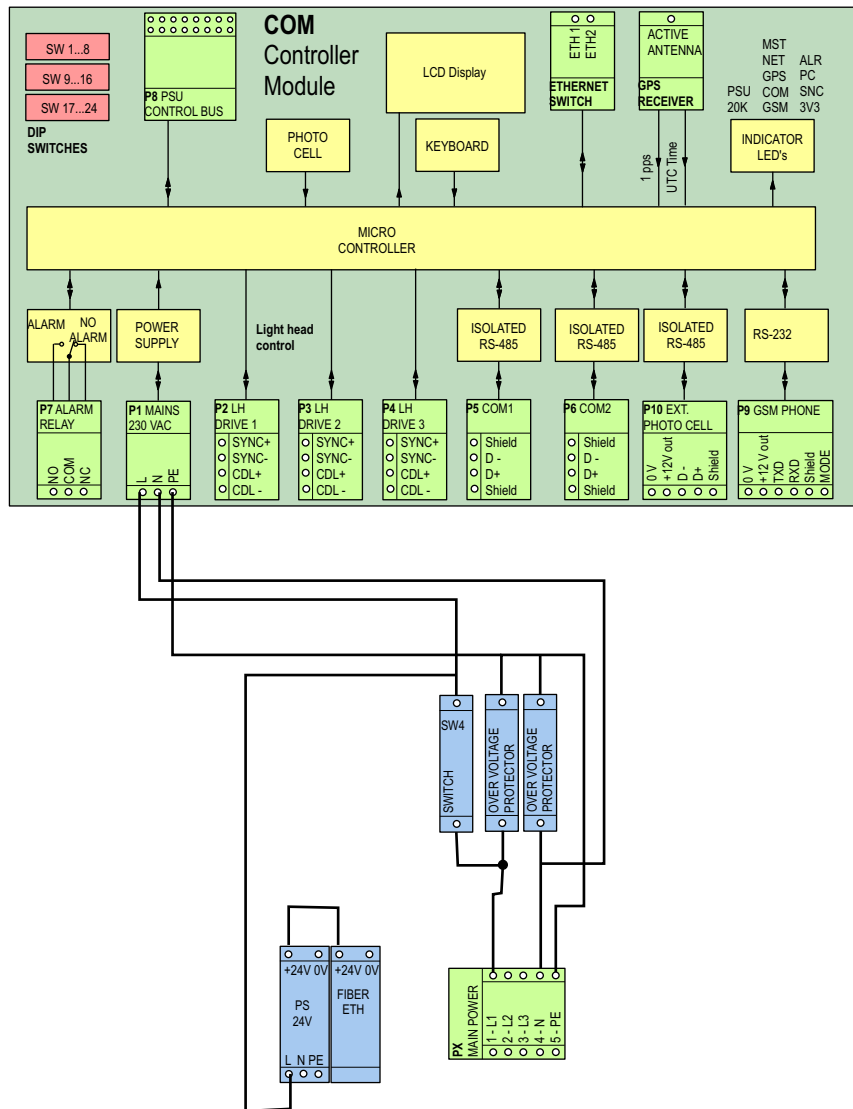
- Obelux CP-230 for 230 V<sub>AC</sub> system
- Obelux CP-200 for 200 V<sub>AC</sub> system
- Obelux CP-115 for 115 V<sub>AC</sub> system
- Obelux CP-100 for 100 V<sub>AC</sub> system
- Obelux CP-048 for 48 V<sub>DC</sub> system

Made in Finland

Technical information in this document is subject to change without notice. Copyright © Obelux Oy 2013

**Control Panel to control multiple Obelux LHCs  
with synchronization, status monitoring and reporting**

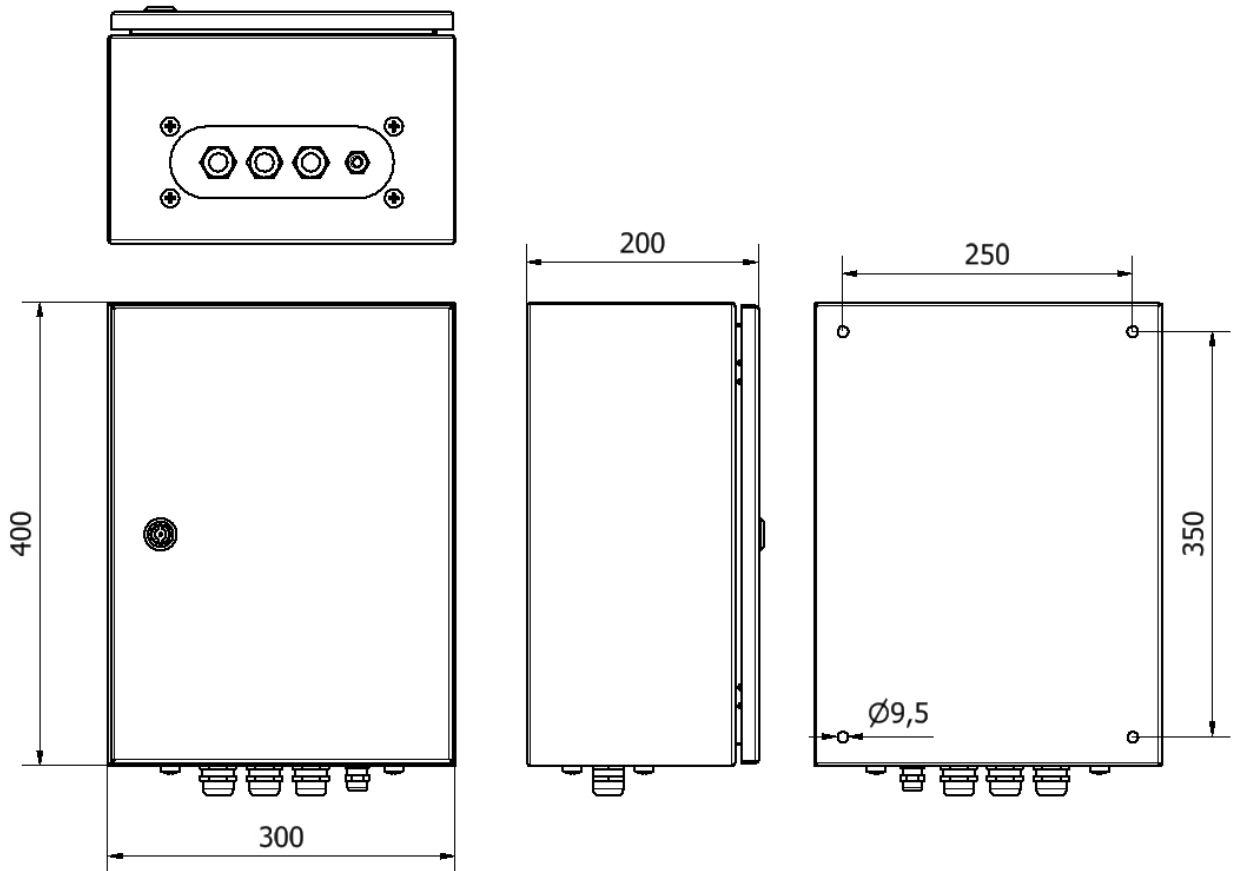
**SIMPLIFIED WIRING DIAGRAM**



Technical information in this document is subject to change without notice. Copyright © Obelux Oy 2013

Control Panel to control multiple Obelux LHCs  
with synchronization, status monitoring and reporting

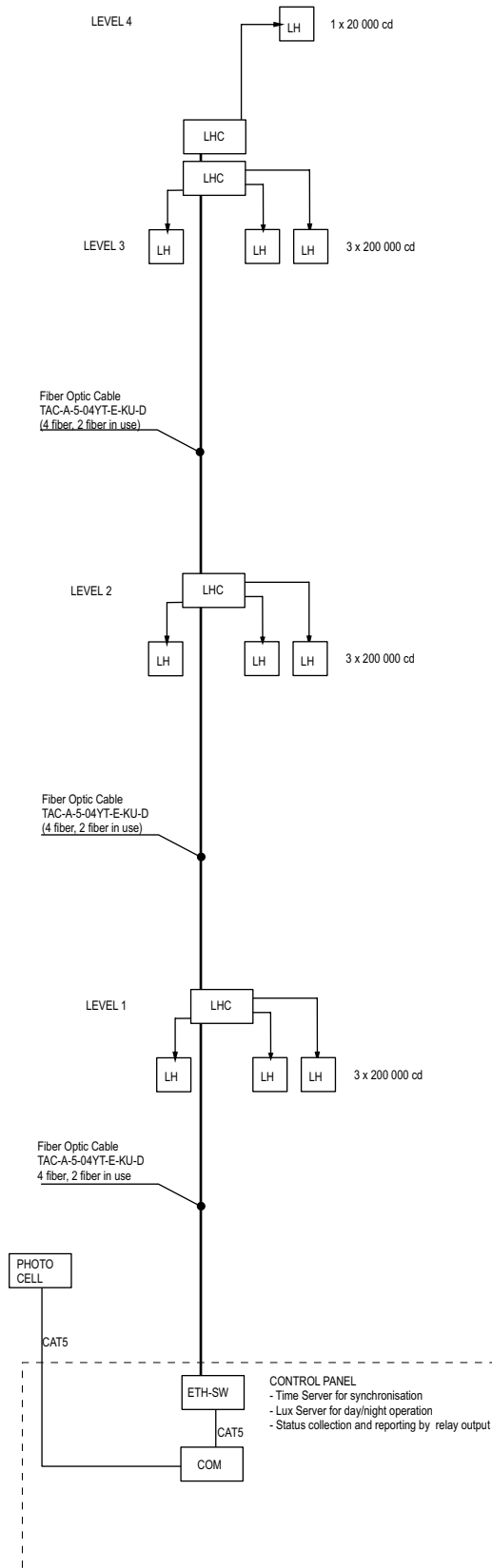
MECHANICAL DIMENSIONS



Technical information in this document is subject to change without notice. Copyright © Obelux Oy 2013

**Control Panel to control multiple Obelux LHCs  
with synchronization, status monitoring and reporting**

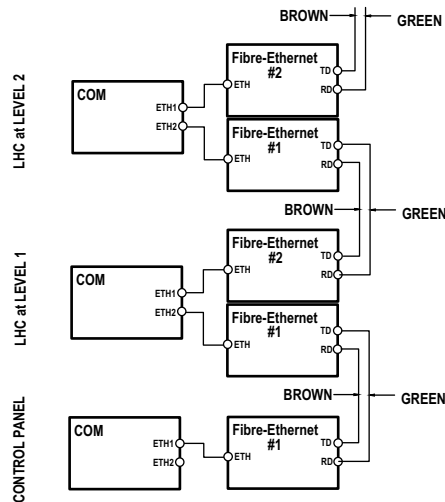
**TYPICAL APPLICATION  
4-LEVEL BROADCAST MAST**



Technical information in this document is subject to change without notice. Copyright © Obelux Oy 2013

**Control Panel to control multiple Obelux LHCs  
with synchronization, status monitoring and reporting**

**MULTILEVEL CONNECTIONS**



Technical information in this document is subject to change without notice. Copyright © Obelux Oy 2013